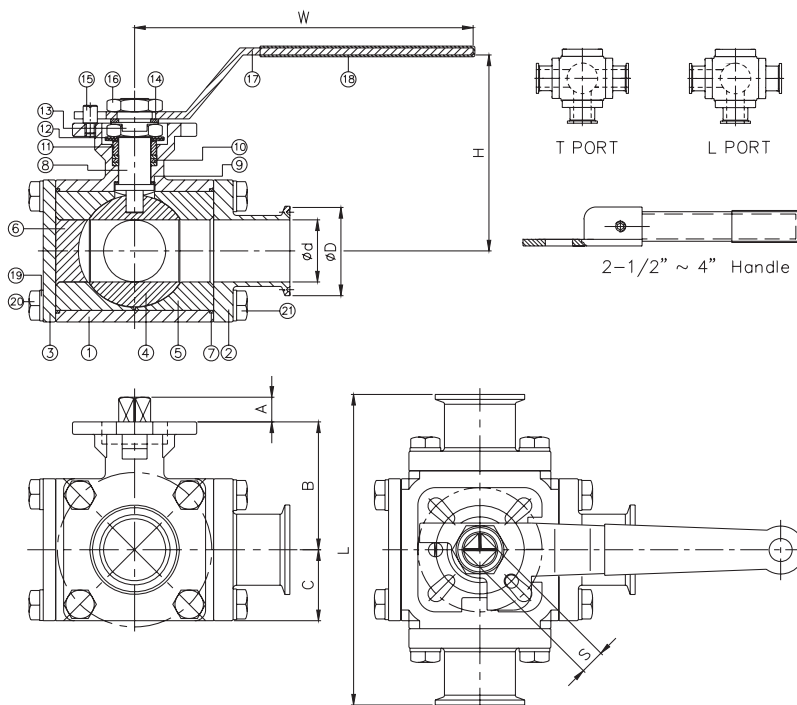




FEATURES

- Clamp end, 1/2"~4" (DN15~DN100)
- Body W.P. : 1000 WOG (PN63)
- Clamp End W.P. : 200 WOG
- W.T. : -20°C~200°C (-4°F~392°F)
- Investment casting
- Blow-out proof stem
- Live-loading design
- Anti-Static Device (option)
- Cavity filled seats
- Locking device
- ISO 5211 Direct mounting pad
- **Automation accessories (option)**



ITEM	PARTS	MATERIAL	
1	BODY	ASTM A351-CF8M	ASTM A351-CF3M
2	CAP		
3	FLAT CAP		
4	BALL	ASTM A351-CF8M	
5	SEAT A	PTFE / TFM1600	
6	SEAT B		
7	SEAL	PTFE	
8	STEM	ASTM A276-316	
9	THRUST WASHER	PTFE	
10	PACKING		
11	GLAND RING	AISI 304	
12	BELLEVILLE WASHER	AISI 301	
13	LOCKING WASHER		
14	FLAT WASHER		
15	STOP PIN	AISI 304	
16	STEM NUT		
17	HANDLE	STAINLESS STEEL	
18	HANDLE SLEEVE	PVC	
19	SPRING WASHER		
20	BOLT A	AISI 304	
21	BOLT B		

DN	A	B	C	d	D	H	L	S	W	ISO 5211	Torque (N-m)
15	9	44.5	23.5	9.4	25.4	79	118	9	122	F03/F04	4.4
20	9	48	26	15.8	25.4	82.5	127	9	122	F03/F04	5.9
25	11	59	30.5	22.1	50.4	91	152.4	11	137	F04/F05	11.7
40	14	72	40	35	50.4	107	175	14	183	F05/F07	18.2
50	14	82	50	47.6	63.9	117	190	14	183	F05/F07	26
65	17	100	61	60	77.5	108.5	228	17	370	F07/F10	65
80	23	125.5	74	73	90.9	134	260	22	400	F10/F12	106.6
100	23	135.5	84	97.4	119	144	318	22	400	F10/F12	130

unit:mm

NPS	A	B	C	d	D	H	L	S	W	ISO 5211	Torque (in-lb)
1/2"	0.35	1.75	0.93	0.37	1	3.11	4.65	0.35	4.8	F03/F04	39.1
3/4"	0.35	1.89	1.02	0.62	1	3.25	5	0.35	4.8	F03/F04	51.8
1"	0.43	2.32	1.2	0.87	1.98	3.58	6	0.43	5.39	F04/F05	103.6
1-1/2"	0.55	2.83	1.57	1.38	1.98	4.21	6.89	0.55	7.2	F05/F07	161.1
2"	0.55	3.23	1.97	1.87	2.52	4.61	7.48	0.55	7.2	F05/F07	230.1
2-1/2"	0.67	3.94	2.4	2.36	3.05	4.27	8.98	0.67	14.57	F07/F10	575.3
3"	0.91	4.94	2.91	2.87	3.58	5.28	10.24	0.87	15.75	F10/F12	943.5
4"	0.91	5.33	3.31	3.83	4.69	5.67	12.52	0.87	15.75	F10/F12	1150.6

unit:in

