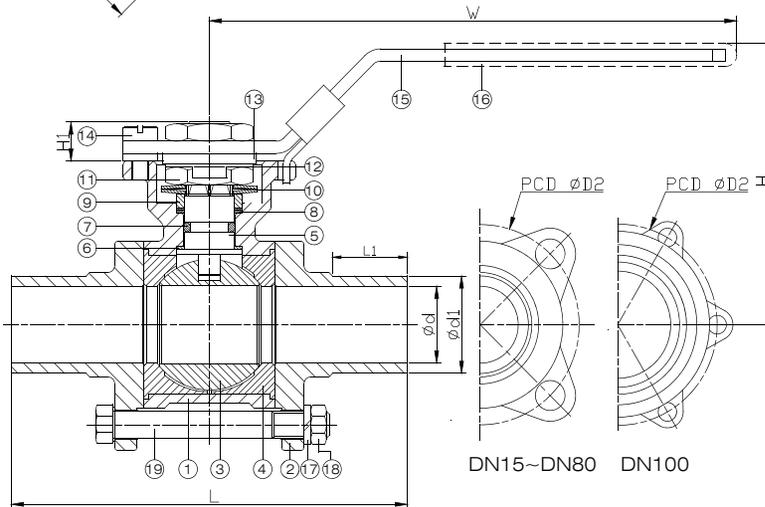
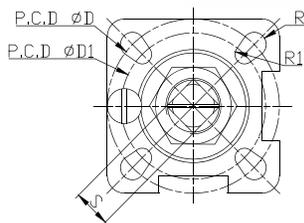




FEATURES

- Tube prot, 1/2"~4" (DN15~DN100)
- Body W.P. : 1000 WOG (PN63)
- Tube End W.P. : 200 WOG
- W.T. : -20°C~200°C (-4°F~392°F)
- Investment casting
- Blow-out proof stem
- Live-loading design
- Cavity filled seats (option)
- Locking device
- ISO 5211 Direct mounting pad
- **Automation accessories (option)**



ITEM	PARTS	MATERIAL	
1	BODY	ASTM A351-CF8M	ASTM A351-CF3M
2	CAP		
3	BALL	ASTM A351-CF8M	
4	SEAT	PTFE / TFM1600	
5	STEM	ASTM A276-316	
6	THRUST WASHER	PTFE	
7	O-RING	VITON	
8	PACKING	PTFE	
9	GLAND RING	AISI 304	
10	BELLEVILLE WASHER	AISI 301	
11	NUT		
12	LOCK WASHER	AISI 304	
13	FLAT WASHER		
14	STOP PIN		
15	HANDLE	STAINLESS STEEL	
16	HANDLE SLEEVE	PVC	
17	SPRING WASHER		
18	NUT	AISI 304	
19	BOLT		

DN	d	d1	D	D1	D2	R	R1	S	L1	L	H	H1	W	Torque (N-M)
15	9.6	12.7	42	36	45.5	2.75	2.75	9	20	90.7	121.3	9	64.7	5
20	15.8	19.1	42	36	47	2.75	2.75	9	22.5	103	121.3	11	64.7	7.5
25	22.1	25.4	50	42	57.5	3.5	2.75	11	25	115	150	11	79	11
40	34.8	38.1	70	50	83	4.5	3.5	14	25	139	150	14	96.5	16
50	47.7	50.8	70	50	100	4.5	3.5	14	25	158	180	14	104	20
65	60.3	63.5	102	70	126	5.5	4.5	17	25	197	180	17	142	40
80	72.9	76.2	102	70	148	5.5	4.5	17	25	228	243.5	17	150	50
100	97.5	101.6	125	102	183	6.5	5.5	22	25	241.8	285	22	185	60

unit:mm

NPS	d	d1	D	D1	D2	R	R1	S	L1	L	H	H1	W	Torque (in-lb)
1/2"	0.38	0.5	1.65	1.42	1.79	0.11	0.11	0.35	0.79	3.57	4.78	0.35	2.55	44.3
3/4"	0.62	0.75	1.65	1.42	1.85	0.11	0.11	0.35	0.89	4.06	4.78	0.43	2.55	66.4
1"	0.87	1	1.97	1.65	2.26	0.14	0.11	0.43	0.98	4.53	5.91	0.43	3.11	97.4
1-1/2"	1.37	1.5	2.76	1.97	3.27	0.18	0.14	0.55	0.98	5.47	5.91	0.55	3.8	141.6
2"	1.88	2	2.76	1.97	3.94	0.18	0.14	0.55	0.98	6.22	7.09	0.55	4.09	177
2-1/2"	2.37	2.5	4.02	2.76	4.96	0.22	0.18	0.67	0.98	7.76	7.09	0.67	5.59	354
3"	2.87	3	4.02	2.76	5.83	0.22	0.18	0.67	0.98	8.98	9.59	0.67	5.91	442.5
4"	3.84	4	4.92	4.02	7.2	0.26	0.22	0.87	0.98	9.52	11.22	0.87	7.28	531

unit:in

