



3-PC. SCREWED END BALL VALVE

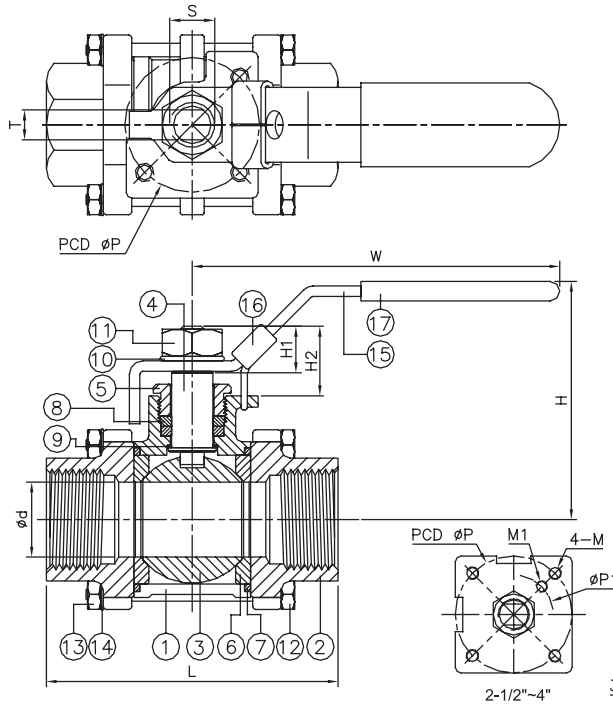
2013M



FEATURES

- Full port, 1/4"~4" (DN8~DN100)
- W.P. : 1000 WOG (PN63)
- W.T. : -20°C~200°C (-4°F~392°F)
- Investment casting
- Blow-out proof stem
- Anti-static device (option)
- Locking device
- ISO 5211 Mounting pad
- **ISO 5211 direct Mounting pad**
- **2413D (option)**

- Thread type : ASME B1.20.1 (NPT)
DIN2999 & BS21
ISO7/1 & EN10226



ITEM	PARTS	MATERIAL	
1	BODY	ASTM A351-CF8M	ASTM A216-WCB
2	CAP		
3	BALL	ASTM A351-CF8M	
4	STEM	ASTM A276-316	
5	GLAND NUT	AISI 304	
6	SEAT	PTFE / RTFE / CTFE	
7	SEAL		
8	PACKING	PTFE	
9	THRUST WASHER		
10	SPRING WASHER		
11	STEM NUT		
12	BOLT	AISI 304	
13	NUT		
14	SPRING WASHER		
15	HANDLE	STAINLESS STEEL	
16	LOCKING DEVICE		
17	HANDLE SLEEVE	PVC	

DN	d	L	W	H	H1	H2	P	P1	M	M1	T	S	Torque (N-M)	Weight (kg)
8	11.6	64.5	119	56	11	15	36	-	M 5	-	5	5/16"UNC	4	0.5
10	12.7	64.5	119	56	11	15	36	-	M 5	-	5	5/16"UNC	4	0.4
15	15	66	119	57	11	15	36	-	M 5	-	5	5/16"UNC	4	0.5
20	20	83.4	135.5	63	14	19.5	36	-	M 5	-	6.5	3/8"UNC	7	0.8
25	25	95	158.5	81	15.5	23.5	42	-	M 5	-	8	7/16"UNC	7.5	1.1
32	32	111.2	158.5	87	15.5	20	50	-	M 5	-	8	7/16"UNC	11	1.8
40	38	130	188	96	18	26	50	-	M 6	-	9	1/2"UNC	17	2.5
50	50	151	198	109	18	26	70	-	M 8	-	9	1/2"UNC	45	3.8
65	65	184	280	133	31	40	102	68.5	M 12	M10	12	3/4"UNC	59	8.8
80	80	209	320	149	31	38	102	68	M 12	M10	12	3/4"UNC	90	14.3
100	100	234.4	312	171	40	53	102	69	M 12	M10	16	1"UNC	160	23.5

unit:mm

NPS	d	L	W	H	H1	H2	P	P1	M	M1	T	S	Torque (in-lb)	Weight (lb)
1/4"	0.46	2.54	4.69	2.2	0.43	0.59	1.42	-	M 5	-	0.2	5/16"UNC	35.4	1.1
3/8"	0.5	2.54	4.69	2.2	0.43	0.59	1.42	-	M 5	-	0.2	5/16"UNC	35.4	0.9
1/2"	0.59	2.6	4.69	2.24	0.43	0.59	1.42	-	M 5	-	0.2	5/16"UNC	35.4	1.1
3/4"	0.79	3.28	5.33	2.48	0.55	0.77	1.42	-	M 5	-	0.26	3/8"UNC	62	1.8
1"	0.98	3.74	6.24	3.19	0.61	0.93	1.65	-	M 5	-	0.31	7/16"UNC	66.4	2.4
1-1/4"	1.26	4.38	6.24	3.43	0.61	0.79	1.97	-	M 5	-	0.31	7/16"UNC	97.4	4
1-1/2"	1.5	5.12	7.4	3.78	0.71	1.02	1.97	-	M 6	-	0.35	1/2"UNC	150.5	5.5
2"	1.97	5.94	7.8	4.29	0.71	1.02	2.76	-	M 8	-	0.35	1/2"UNC	398.3	8.4
2-1/2"	2.56	7.24	11.02	5.24	1.22	1.57	4.02	2.7	M 12	M10	0.47	3/4"UNC	522.2	19.4
3"	3.15	8.23	12.6	5.87	1.22	1.5	4.02	2.68	M 12	M10	0.47	3/4"UNC	796.6	31.5
4"	3.94	9.23	12.28	6.73	1.57	2.09	4.02	2.72	M 12	M10	0.63	1"UNC	1416.1	51.8

unit:in

