



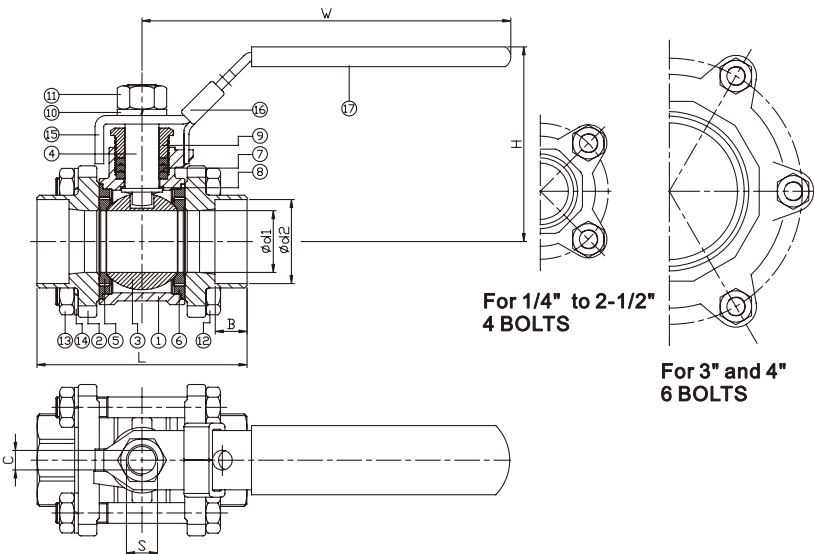
# 3-PC. SOCKET WELD END BALL VALVE

# 2011N

## FEATURES



- Full port, 1/4"~4" (DN8~DN100)
- W.P. : 1000 W OG (PN63)
- W.T. : -20°C~200°C (-4°F~392°F)
- Investment casting
- Blow-out proof stem
- Locking device
- TA-Luft approved (option)
- Length conform to DIN 3202/4-M3-2011N-M3 (option)
- Socket weld ends conform to ANSI B16.11 & DIN 3239 part2



ITEM	PARTS	MATERIAL
1	BODY	ASTM A351-CF8M ASTM A216-WCB
2	CAP	
3	BALL	ASTM A351-CF8M
4	STEM	ASTM A276-316
5	SEAT	PTFE
6	SEAL	
7	PACKING	
8	THRUST WASHER	AISI 304
9	GLAND NUT	
10	SPRING WASHER	
11	STEM NUT	AISI 304
12	BOLT	
13	NUT	
14	SPRING WASHER	STAINLESS STEEL
15	HANDLE	
16	LOCKING DEVICE	PVC
17	HANDLE SLEEVE	

DN	d1	d2	B	L	H	W	C	S	Torque (N-M)	Weight (kg)
8	11.6	14.5	10	65	58.5	100	5	3/8"-24UNF	3.5	0.4
10	12.5	18	10	65	58.5	100	5	3/8"-24UNF	4	0.4
15	15	22	10	65	62	100	5	3/8"-24UNF	5.5	0.5
20	20	27.5	13	75	62	125	6.5	7/16"-20UNF	7.5	0.7
25	25	34	13	85	77	149	7.9	7/16"-20UNF	11	1
32	32	43	13	101	82	149	7.9	7/16"-20UNF	15	1.6
40	38	49	13	112	100	190	10	1/2"-20UNF	20	2.5
50	50	61	16	130	108	190	10	1/2"-20UNF	40	3.5
65	63	74	16	162	137	250	12	3/4"-10UNC	60	6.7
80	76	90	16	188	145	250	12	3/4"-10UNC	85	9.5
100	96	115.5	20	224	179	323	16	1"-8UNC	150	19.1

unit:mm

NPS	d1	d2	B	L	H	W	C	S	Torque (in-lb)	Weight (lb)
1/4"	0.46	0.57	0.39	2.56	2.3	3.94	0.2	3/8"-24UNF	31	0.8
3/8"	0.49	0.71	0.39	2.56	2.3	3.94	0.2	3/8"-24UNF	35.4	0.8
1/2"	0.59	0.87	0.39	2.56	2.44	3.94	0.2	3/8"-24UNF	48.7	1.1
3/4"	0.79	1.08	0.51	2.95	2.44	4.92	0.26	7/16"-20UNF	66.4	1.5
1"	0.98	1.34	0.51	3.35	3.03	5.87	0.31	7/16"-20UNF	97.4	2.2
1-1/4"	1.26	1.69	0.51	3.98	3.23	5.87	0.31	7/16"-20UNF	132.8	3.5
1-1/2"	1.5	1.93	0.51	4.41	3.94	7.48	0.39	1/2"-20UNF	177	5.5
2"	1.97	2.4	0.63	5.12	4.25	7.48	0.39	1/2"-20UNF	354	7.7
2-1/2"	2.48	2.91	0.63	6.38	5.39	9.84	0.47	3/4"-10UNC	531	14.8
3"	2.99	3.54	0.63	7.4	5.71	9.84	0.47	3/4"-10UNC	752.3	20.9
4"	3.78	4.55	0.79	8.82	7.05	12.72	0.63	1"-8UNC	1327.6	42.1

unit:in

8F., No.201, Sec. 2, Tiding Blvd., Neihu District, Taipei City 114, Taiwan R.O.C.  
 TEL : +886-2-2658-5800 FAX : +886-2-2658-2266 / 2799-7766  
[Http://www.haitima.com.tw](http://www.haitima.com.tw)  
 E-mail : [haitima@seed.net.tw](mailto:haitima@seed.net.tw)