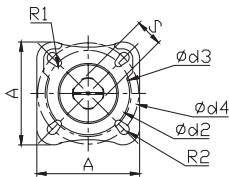


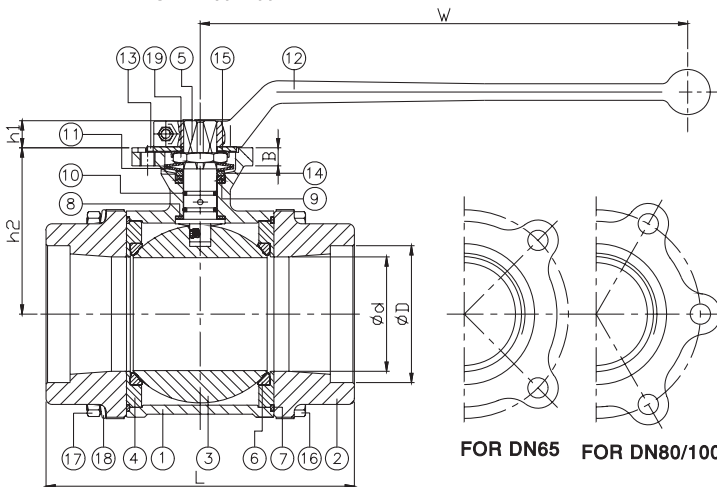


FEATURES

- Full port, 2-1/2"~4" (DN65~DN100)
- W.P. : 1000 WOG (PN63)
- W.T. : -20°C~200°C (-4°F~392°F)
- Investment casting
- Blow-out proof stem
- Live-loading design
- Anti-static device
- Locking device
- ISO 5211 Direct mounting pad
- Length conform to DIN 3202/4-M3
- **ISO 15848 fugitive emission approved (option)**
- **Automation accessories (option)**
- **Socket weld ends conform to ANSI B16.11 & DIN 3239 part2**



FOR DN65 -100



FOR DN65 FOR DN80/100

ITEM	PARTS	MATERIAL	
1	BODY	ASTM A351-CF8M	ASTM A216-WCB
2	CAP		
3	BALL	ASTM A351-CF8M	
4	RETAINER		
5	STEM	ASTM A276-316	
6	SEAT	RTFE	
7	SEAL		
8	THRUST WASHER	PTFE	
9	PACKING		
10	O-RING	VITON	
11	BELLEVILLE WASHER	AISI 301	
12	HANDLE	ASTM A351-CF8M	
13	LOCKING PAD		
14	GLAND RING		
15	LOCKING WASHER		
16	BOLT	AISI 304	
17	NUT		
18	SPRING WASHER		
19	STEM NUT		

DN	d	D	L	W	ISO 5211	A	B	S	h1	h2	d2	d3	d4	R1	R2	Torque (N-M)
65	65	74	185	325	F07/F10	100	10	17	17	105	70	70	102	4.5	5.5	89.2
80	76	90	205	325	F07/F10	100	10	17	17	111.5	70	70	102	4.5	5.5	97
100	100	115.5	240	325	F10/F12	125	12	22	22	136	100	102	125	5.5	6.5	116

unit:mm

NPS	d	D	L	W	ISO 5211	A	B	S	h1	h2	d2	d3	d4	R1	R2	Torque (in-lb)
2-1/2"	2.56	2.91	7.28	12.8	F07/F10	3.94	0.39	0.67	0.67	4.13	2.76	2.76	4.02	0.18	0.22	789.5
3"	2.99	3.54	8.07	12.8	F07/F10	3.94	0.39	0.67	0.67	4.39	2.76	2.76	4.02	0.18	0.22	858.5
4"	3.94	4.55	9.45	12.8	F10/F12	4.92	0.47	0.87	0.87	5.35	3.94	4.02	4.02	0.22	0.26	1026.7

unit:in