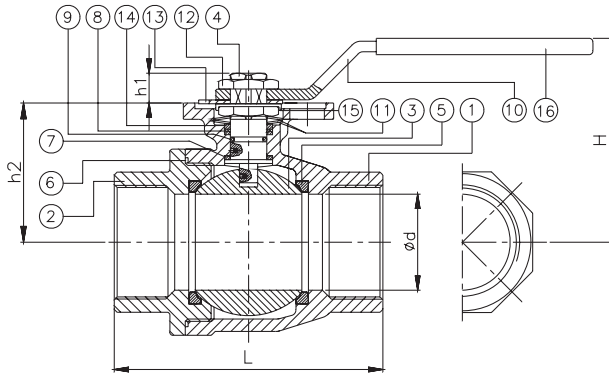
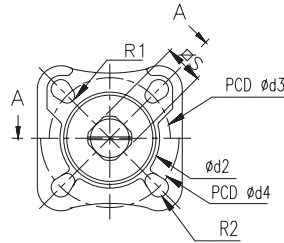




## FEATURES

- Full port, 1/4"~2" (DN8~DN50)
- W.P. : 1000 WOG (PN63)
- W.T. : -20°C~200°C (-4°F~392°F)
- Investment casting
- Blow-out proof stem
- Live-loading design
- Anti-static device
- Locking device
- ISO 5211 Direct mounting pad
- Length conform to DIN 3202/4-M3
- ISO 15848 fugitive emission approved (option)
- Automation accessories (option)
- Thread type : ASME B1.20.1 (NPT)  
DIN2999 & BS21  
ISO7/1 & EN10226



ITEM	PARTS	MATERIAL	
1	BODY	ASTM A351-CF8M	ASTM A216-WCB
2	CAP		
3	BALL	ASTM A351-CF8M	
4	STEM	ASTM A276-316	
5	SEAT	RTFE / PTFE	
6	SEAL		
7	THRUST WASHER	PTFE	
8	PACKING		
9	O-RING	VITON	
10	HANDLE	STAINLESS STEEL	
11	BELLEVILLE WASHER	AISI 301	
12	STEM NUT		
13	LOCKING DEVICE	AISI 304	
14	GLAND RING		
15	LOCKING WASHER		
16	HANDLE SLEEVE	PVC	

DN	d	L	H	ISO 5211	S	h1	h2	d2	d3	d4	R1	R2	Torque (N-m)	Weight (kg)
8	8	75	64	F03/F04	9	8	39	31	36	42	2.75	2.75	3.6	0.5
10	10	75	64	F03/F04	9	8	39	31	36	42	2.75	2.75	3.6	0.5
15	15	75	64	F03/F04	9	8	39	31	36	42	2.75	2.75	3.6	0.5
20	20	80	70	F03/F04	9	8	44	31	36	42	2.75	2.75	6.5	0.6
25	25	90.5	74	F04/F05	11	9	47.5	35.5	42	50	2.75	3.5	9.5	1
32	32	110	80	F04/F05	11	12	53	35.5	42	50	2.75	3.5	11	1.5
40	38	120	98	F05/F07	14	13	64.5	56	50	70	3.5	4.5	13	2.3
50	50	140	107	F05/F07	14	13.5	73	56	50	70	3.5	4.5	52	3.6

unit:mm

NPS	d	L	H	ISO 5211	S	h1	h2	d2	d3	d4	R1	R2	Torque (in-lb)	Weight (lb)
1/4"	0.31	2.95	2.52	F03/F04	0.35	0.31	1.54	1.22	1.42	1.65	0.11	0.11	31.9	1.1
3/8"	0.39	2.95	2.52	F03/F04	0.35	0.31	1.54	1.22	1.42	1.65	0.11	0.11	31.9	1.1
1/2"	0.59	2.95	2.52	F03/F04	0.35	0.31	1.54	1.22	1.42	1.65	0.11	0.11	31.9	1.1
3/4"	0.79	3.15	2.76	F03/F04	0.35	0.31	1.73	1.22	1.42	1.65	0.11	0.11	57.5	1.3
1"	0.98	3.56	2.91	F04/F05	0.43	0.35	1.87	1.4	1.65	1.97	0.11	0.14	84.1	2.2
1-1/4"	1.26	4.33	3.15	F04/F05	0.43	0.47	2.09	1.4	1.65	1.97	0.11	0.14	97.4	3.3
1-1/2"	1.5	4.72	3.86	F05/F07	0.55	0.51	2.54	2.2	1.97	2.76	0.14	0.18	115.1	5.1
2"	1.97	5.51	4.21	F05/F07	0.55	0.53	2.87	2.2	1.97	2.76	0.14	0.18	460.3	7.9

unit:in

