



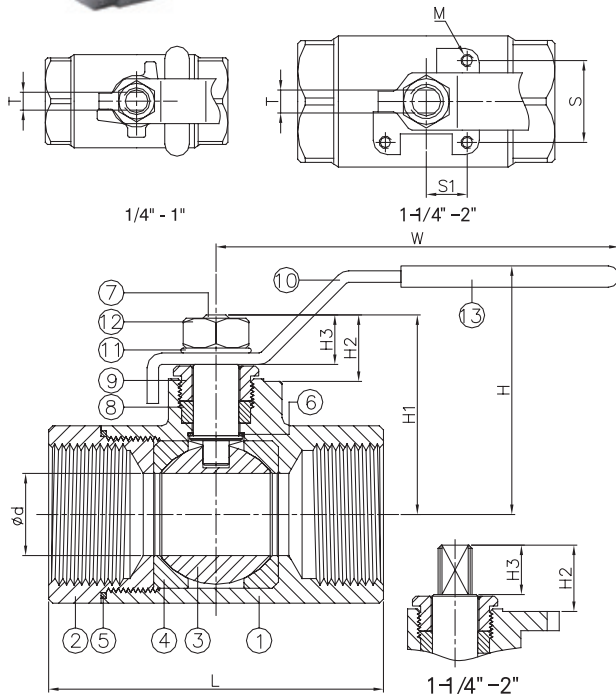
# 2-PC. SCREWED END BALL VALVE

# 2007A



## FEATURES

- Standard port
- W.P. : 1/4"~1" - 2000 WOG (PN150)  
1-1/4"~2" - 1500 WOG (PN100)
- W.T. : -20°C~200°C (-4°F~392°F)
- Investment casting
- Blow-out proof stem
- Anti-static device (option)
- Locking device
- Tapped & drilled mounting pad (option)
- Thread type : ASME B1.20.1 (NPT)  
DIN2999 & BS21  
ISO7/1 & EN10226



ITEM	PARTS	MATERIAL	
1	BODY	ASTM A351-CF8M	ASTM A216-WCB
2	CAP		
3	BALL	ASTM A351-CF8M	
4	SEAT	RTFE	
5	SEAL	PTFE	
6	THRUST WASHER	PTFE	
7	STEM	ASTM A276-316	
8	PACKING	PTFE	
9	GLAND NUT	AISI 304	
10	HANDLE	AISI 304	
11	SPRING WASHER	AISI 304	
12	NUT	AISI 304	
13	HANDLE SLEEVE	PVC	

DN	d	L	W	H	H1	H2	H3	S1	S	M	T	Torque (N-M)	Weight (kg)
8	11.1	56.8	113	52.3	42	17.8	12	-	-	-	5.5	3.6	0.4
10	12.7	56.8	113	52.3	42	17.8	12	-	-	-	5.5	3.6	0.4
15	12.7	59.7	113	52.3	42	17.8	12	-	-	-	5.5	3.6	0.4
20	17.5	79.6	124.5	59.8	52.8	22.8	14.5	-	-	-	6.3	6.8	0.6
25	22.3	85	124.5	62.5	55.5	22.8	14.5	-	-	-	6.3	11	0.8
32	25.4	103	141.5	85.4	73.7	30.8	20.6	17.7	35.4	M6	9.5	17.4	1.5
40	31.8	111	141.5	90.2	78.5	31.3	20.6	17.7	35.4	M6	9.5	22.7	1.9
50	38.1	137	183	94.8	85.6	29.1	20.6	17.7	35.4	M6	9.5	39.5	2.7

unit:mm

NPS	d	L	W	H	H1	H2	H3	S1	S	M	T	Torque (in-lb)	Weight (lb)
1/4"	0.44	2.24	4.45	2.06	1.65	0.7	0.47	-	-	-	0.22	31.9	0.8
3/8"	0.5	2.24	4.45	2.06	1.65	0.7	0.47	-	-	-	0.22	31.9	0.8
1/2"	0.5	2.35	4.45	2.06	1.65	0.7	0.47	-	-	-	0.22	31.9	0.8
3/4"	0.69	3.13	4.9	2.35	2.08	0.9	0.57	-	-	-	0.25	60.2	1.4
1"	0.88	3.35	4.9	2.46	2.19	0.9	0.57	-	-	-	0.25	97.4	1.7
1-1/4"	1	4.06	5.57	3.36	2.9	1.21	0.81	0.7	1.39	M6	0.37	154	3.3
1-1/2"	1.25	4.37	5.57	3.55	3.09	1.23	0.81	0.7	1.39	M6	0.37	200.9	4.2
2"	1.5	5.39	7.2	3.73	3.37	1.15	0.81	0.7	1.39	M6	0.37	349.6	6

unit:in