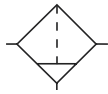


# Particulate Filter F26

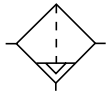
= "Most Popular"



**F26-02-000**



Manual Drain



Auto Drain

**B**

Filters, Regulators, Lubricators

## Features

- Manual Drain
- 5 Micron Rated Element
- Quick-disconnect Bowl Guard with Integral Plastic Bowl and Safety Latch

## Specifications

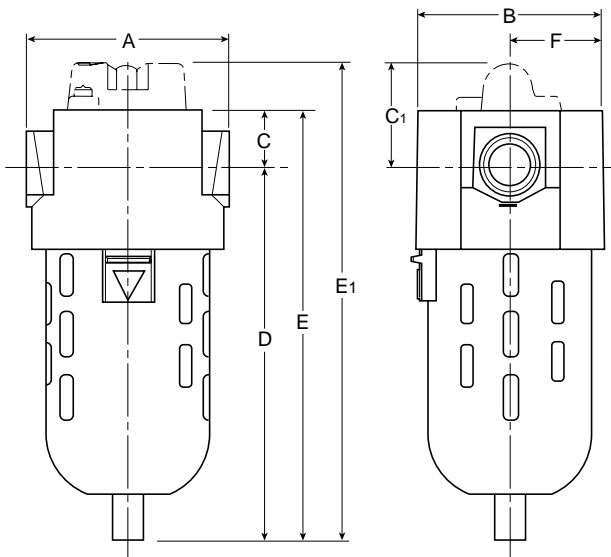
Flow Capacity*	1/4	81.3 SCFM (28.3 dm <sup>3</sup> /s)
	3/8	117.8 SCFM (55.5 dm <sup>3</sup> /s)
	1/2	149.8 SCFM (70.6 dm <sup>3</sup> /s)
Maximum Supply Pressure	Plastic Bowl	150 PSIG (10,3 bar)
	Metal Bowl	200 PSIG (13,8 bar)
Operating Temperature	Plastic Bowl	32° to 125°F (0° to 52°C)
	Metal Bowl	32° to 150°F (0° to 65.5°C)
Port Size	NPT / BSPP-G	1/4, 3/8, 1/2
Standard Filtration	5 Micron	
Weight	2.9 lb. (1.3 kg)	

\* Inlet pressure 150 PSIG (10.3 bar). Pressure drop 5 PSID (0.3 bar).

**"F" Series Filters, Type "A" 5 micron elements:** All Wilkerson Type "A" 5 micron elements **meet or exceed ISO Class 3** for maximum particle size and concentration of solid contaminants.

## Materials of Construction

Baffle	Acetal	
Body	Zinc	
Bowls	Plastic Bowl	Polycarbonate
	Metal Bowl	Zinc
Deflector	Polypropylene	
Element Retainer	Acetal	
Filter Element	Polyethylene	
Seals	Plastic Bowl	Nitrile
	Metal Bowl	Fluorocarbon
Sight Gauge	Metal Bowl	Polycarbonate



## Dimensions

Models	Inches (mm)	A	B	C	C <sub>1</sub>	D	E	E <sub>1</sub>	F
Standard Unit F26-XX-000		3.30 (84)	3.00 (76)	1.00 (25.4)	—	6.40 (162.6)	7.40 (188)	—	1.50 (38)
Differential Pressure Indicator F26-XX-D00		3.30 (84)	3.00 (76)	1.00 (25.4)	1.83 (46.5)	6.40 (162.6)	7.40 (188)	8.23 (209)	1.50 (38)
Automatic Drain F26-XX-F00		3.30 (84)	3.00 (76)	1.00 (25.4)	—	6.40 (162.6)	7.54 (191.5)	—	1.50 (38)
Metal Bowl / Metal Bowl with Sight Gauge F26-XX-G00		3.30 (84)	3.00 (76)	1.00 (25.4)	—	6.40 (162.6)	7.30 (185)	—	1.50 (38)

= "Most Popular"

### Replacement Bowl Kits

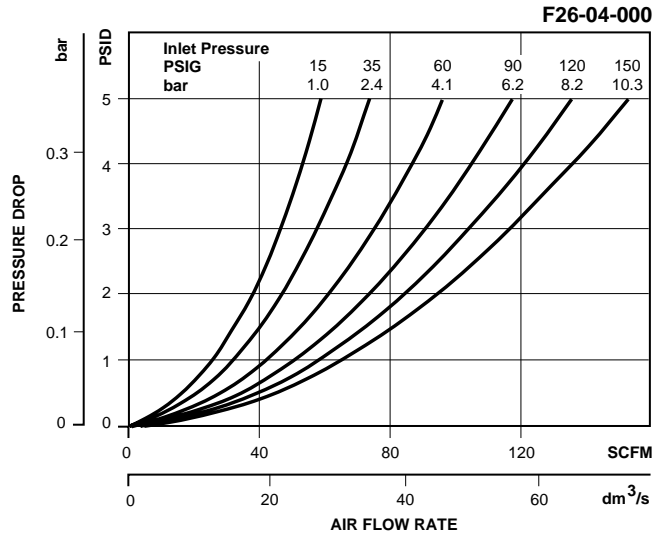
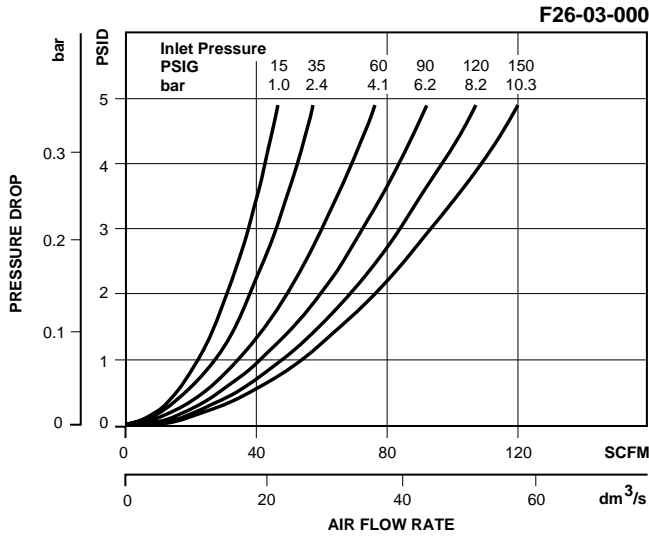
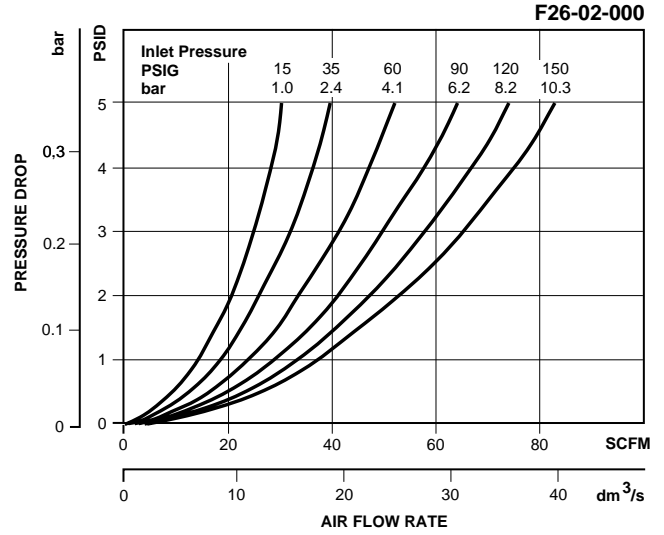
- Metal Bowl –  
 Automatic Drain ..... GRP-95-960  
 Manual Drain ..... GRP-95-930  
 Sight Gauge, Manual Drain ..... GRP-95-931
- Plastic Bowl –  
 Automatic Drain ..... GRP-95-948  
 Bowl Guard, Manual Drain ..... GRP-95-935  
 Manual Drain ..... GRP-95-929

### Replacement Element Kits

- Type "A", 5 Micron ..... FRP-95-115

### Accessories

- Automatic Drain, Nitrile ..... GRP-95-973  
 Manual Drain ..... FRP-95-610  
 Sight Gauge Kit ..... GRP-95-079



**B**  
Filters, Regulators, Lubricators

### Ordering Information

Model Type	Port Size	Polycarbonate Bowl / Bowl Guard	Metal Bowl	Metal Bowl / Sight Gauge	Polycarbonate Bowl / Bowl Guard / Differential Pressure Indicator
Manual Drain	1/4	F26-02-000	F26-02-M00	F26-02-G00	F26-02-D00
	3/8	F26-03-000	F26-03-M00	F26-03-G00	F26-03-D00
	1/2	F26-04-000	F26-04-M00	F26-04-G00	F26-04-D00
Automatic Drain	1/4	F26-02-F00	F26-02-FM0	F26-02-FG0	F26-02-DF0
	3/8	F26-03-F00	F26-03-FM0	F26-03-FG0	F26-03-DF0
	1/2	F26-04-F00	F26-04-FM0	F26-04-FG0	F26-04-DF0

Options - To order an option supplied with the unit model, add the appropriate coded suffix letter in the designated position of the model number.