

## Item description/product images



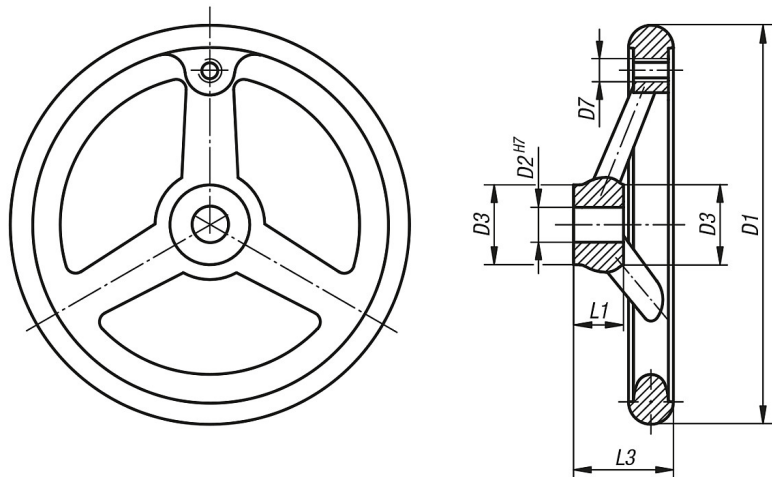
## Description

**Material:**

Stainless steel 1.4401.

**Version:**Wheel rim turned  
and polished**Note:**For suitable fixed handles  
see article 20-43.For suitable rotating  
handles see article 20-44.

## Drawings



## Overview of items

Order No.	Version	D1	D2 series 1	D3	D7	L1	L3	B3 series 1	T series 1	Number of spokes
20-42-1	hub without slot	100	10	26	M6	17	33	-	-	3
20-42-2	hub without slot	125	12	28	M8	18	36	-	-	3
20-42-3	hub without slot	140	14	30	M8	19	39	-	-	3
20-42-4	hub without slot	160	16	32	M10	20	40	-	-	3
20-42-5	hub without slot	200	18	38	M10	24	45	-	-	3
20-42-6	hub with slot	100	10	26	M6	17	33	3	11,4	3
20-42-7	hub with slot	125	12	28	M8	18	36	4	13,8	3
20-42-8	hub with slot	140	14	30	M8	19	39	5	16,3	3
20-42-9	hub with slot	160	16	32	M10	20	40	5	16,3	3
20-42-10	hub with slot	200	18	38	M10	24	45	6	20,8	3