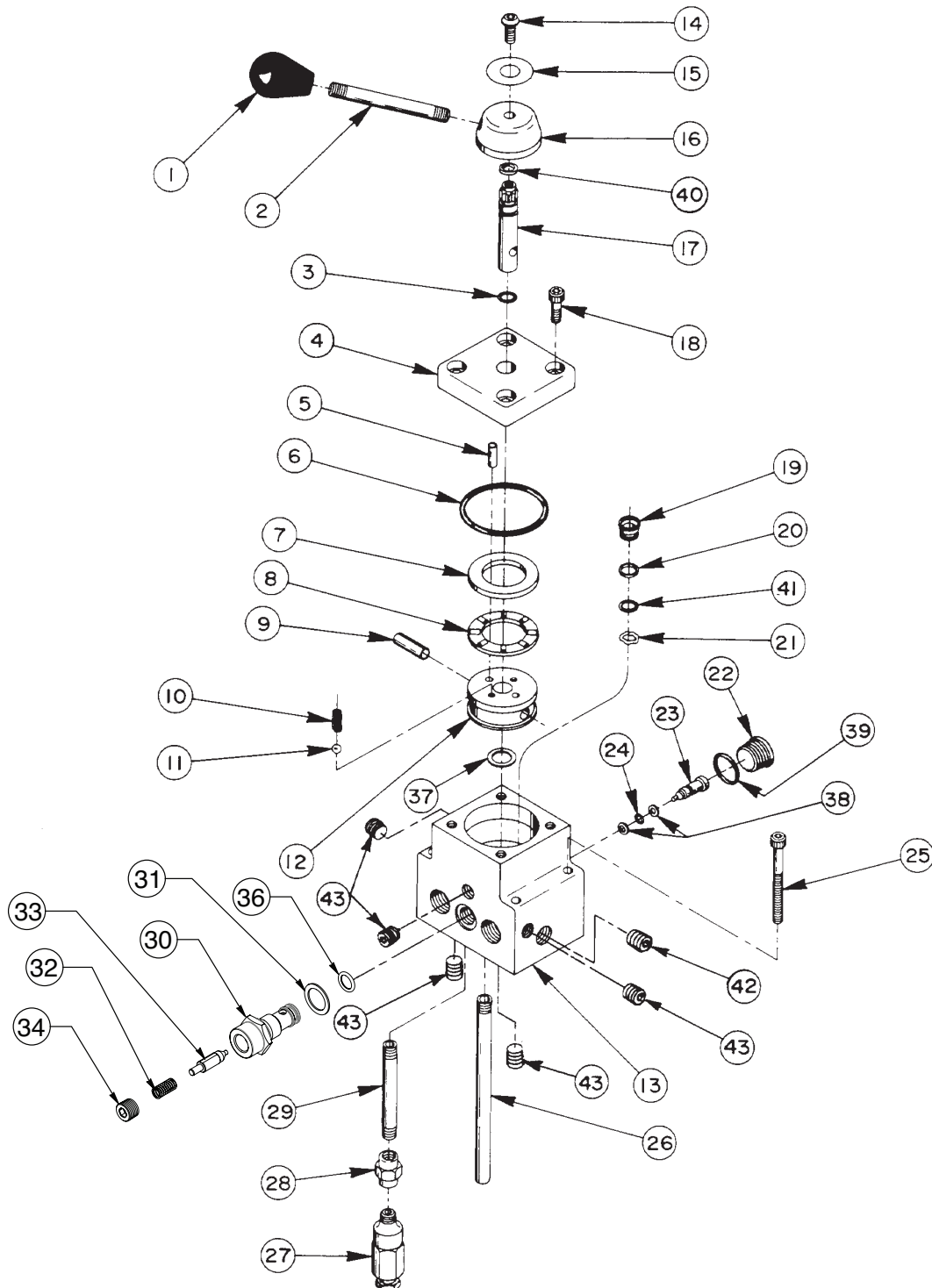


**MODEL F
VALVE ASSEMBLY**



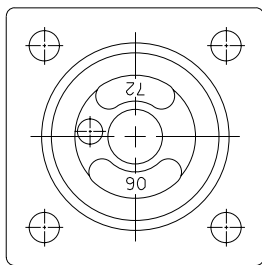
Item No.	Part No.	No. Req'd	Description
1	211911	1	Plastic Knob
2	21639	1	Stud
3	*13943	1	O-ring (1/2 x 3/8 x 1/16; Disogrin)
	11439	1	O-ring (1/2 x 3/8 x 1/16; Viton)
	17716	1	O-ring (1/2 x 3/8 x 1/16; EPR)
4	61343	1	End Cap
5	250056	1	Pin (7/32 dia.)
6	*15892	1	O-ring (1.72 x 1.5 x .118; Nitrile)
	19097	1	O-ring (1.72 x 1.5 x .118; Viton)
	212887	1	O-ring (1.72 x 1.5 x .118; EPR)
7	11227-1	1	Thrust Bearing Washer
8	11228	1	Roller Thrust Bearing
9	10496	1	Roll Pin (5/16 dia. x 1" Lg.)
10	15095	1	Compression Spring (1/4 O.D. x 1/2 Lg.)
11	10375	1	Ball (1/4 dia.)
12	421472	1	Rotor
13	65818	1	Valve Body
14	15911	1	Cap Screw (1/4-20 x 5/8 Lg.; Torque to 60/80 in. lbs.)
15	*211936	1	Decal
16	46057	1	Stem End
17	46048	1	Stem
18	11013	4	Cap Screw (5/16-18 x 1" Lg.; Torque to 300/320 in. lbs.)
19	252460	3	Shear Seal
20	*11863	3	Backup Washer (1/2 x 3/8 x 1/16)
21	21975	3	Spring Washer
22	214014	1	Plug
23	214015	1	Piston
24	*12099	1	O-ring (9/32 x 5/32 x 1/16; Nitrile)
	18972	1	O-ring (9/32 x 5/32 x 1/16; Viton)
	251399	1	O-ring (.281 x .156 x .062; EPR)
25	10856	4	Cap Screw (1/4-20 x 2-1/2 Lg.) Note: When using this valve on a PE30 Series pump order (4) 11956 Cap Screws for mounting valve to pump.

Item No.	Part No.	No. Req'd	Description
26	200609	1	Drain Tube
27	21278-57	1	Relief Valve
28	18841	1	Straight Fitting
29	12891-1	1	Pipe Nipple
30	2008604	1	Valve Cartridge (Torque to 250/280 in. lbs.)
31	*14874	1	Copper Washer (1/2" bolt)
32	11024	1	Compression Spring (1/4 O.D. x 5/8 Lg.)
33	2008603	1	Poppet
34	10427	1	Plug 1/8 NPTF
36	14763	1	O-ring (7/16 x 5/16 x 1/16; Disogrin)
	18974	1	O-ring (7/16 x 5/16 x 1/16; Viton)
	13472	1	O-ring (7/16 x 5/16 x 1/16; EPR)
37	214801	1	Spacer
38	*207354	2	Backup Washer (.64 x .5 x .087, -908)
39	*215193	1	O-ring (13/16 x 5/8 x 3/32; Disogrin)
	18999	1	O-ring (13/16 x 5/8 x 3/32; Viton)
	250157	1	O-ring (13/16 x 5/8 x 3/32; EPR)
40	*213674	1	V-Packing (Fill the open cavity inside the V-packing with grease)
41	*10268	3	O-ring (1/2 x 3/8 x 1/16; Nitrile)
	11439	3	O-ring (1/2 x 3/8 x 1/16; Viton)
	17716	3	O-ring (1/2 x 3/8 x 1/16; EPR)
42	14972	1	Pipe Plug (1/4 NPTF)
43	15130	5	Pipe Plug (1/16 NPTF)

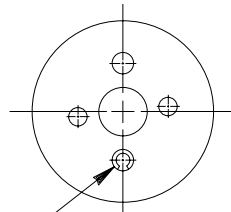
Part numbers marked with an asterisk (*) are contained in Repair Kit No. 300571.

SPECIFICATIONS
on
#9628
PUMP MOUNTED MANUAL DETENTED
3 POSITION, 4-WAY TANDEM CENTER VALVE
with "B" Port Pressure Control and Release System.
(2.15 to 1 Ratio Ref.)

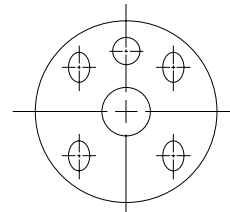
HYDRAULIC SCHEMATIC



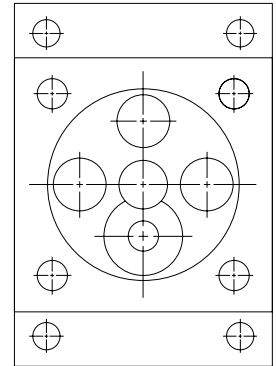
END CAP
BOTTOM VIEW



ROTOR
TOP VIEW



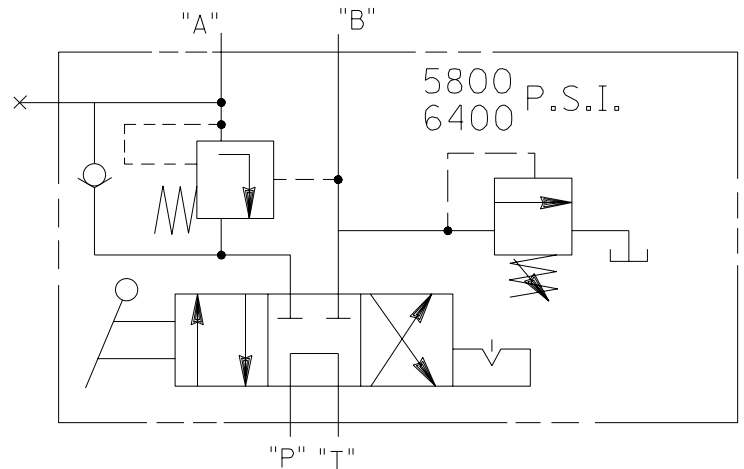
ROTOR
BOTTOM VIEW



VALVE BODY
TOP VIEW

— ROLL PIN LOCATION
 (POSITION OPENING AS SHOWN)
INTERNAL ASSEMBLY ORIENTATION OF PARTS

FUNCTION:
 CENTER POSITION:
 "A" AND "B" PORTS BLOCKED, PRESSURE PORT TO TANK.
 "A" POSITION:
 PRESSURE TO "A" PORT, "B" PORT TO TANK.
 "B" POSITION:
 PRESSURE TO "B" PORT (CONTROLLED TO 6400 P.S.I. MAX.) "A" PORT TO HOLD UNTIL PRESSURE RATIO IS OBTAINED AND THEN RELEASES TO TANK. "A" PORT WILL REMAIN OPEN AS LONG AS "B" PORT MAINTAINS PRESSURE RATIO.
 NOTE: "A" PORT IS BLOCKED WITH "B" AND "P" PORTS OPEN TO TANK DURING TRANSITION BETWEEN VALVE POSITIONS. PRESSURE RATIO IS THE PRESSURE DIFFERENTIAL IN THE "A" AND "B" PORTS.



Refer to any operating instructions included with this product for detailed information about operation, testing, disassembly, reassembly, and preventive maintenance.

Items found in this parts list have been carefully tested and selected. **Therefore: Use only genuine replacement parts!**

Additional questions can be directed to our Technical Services Department.