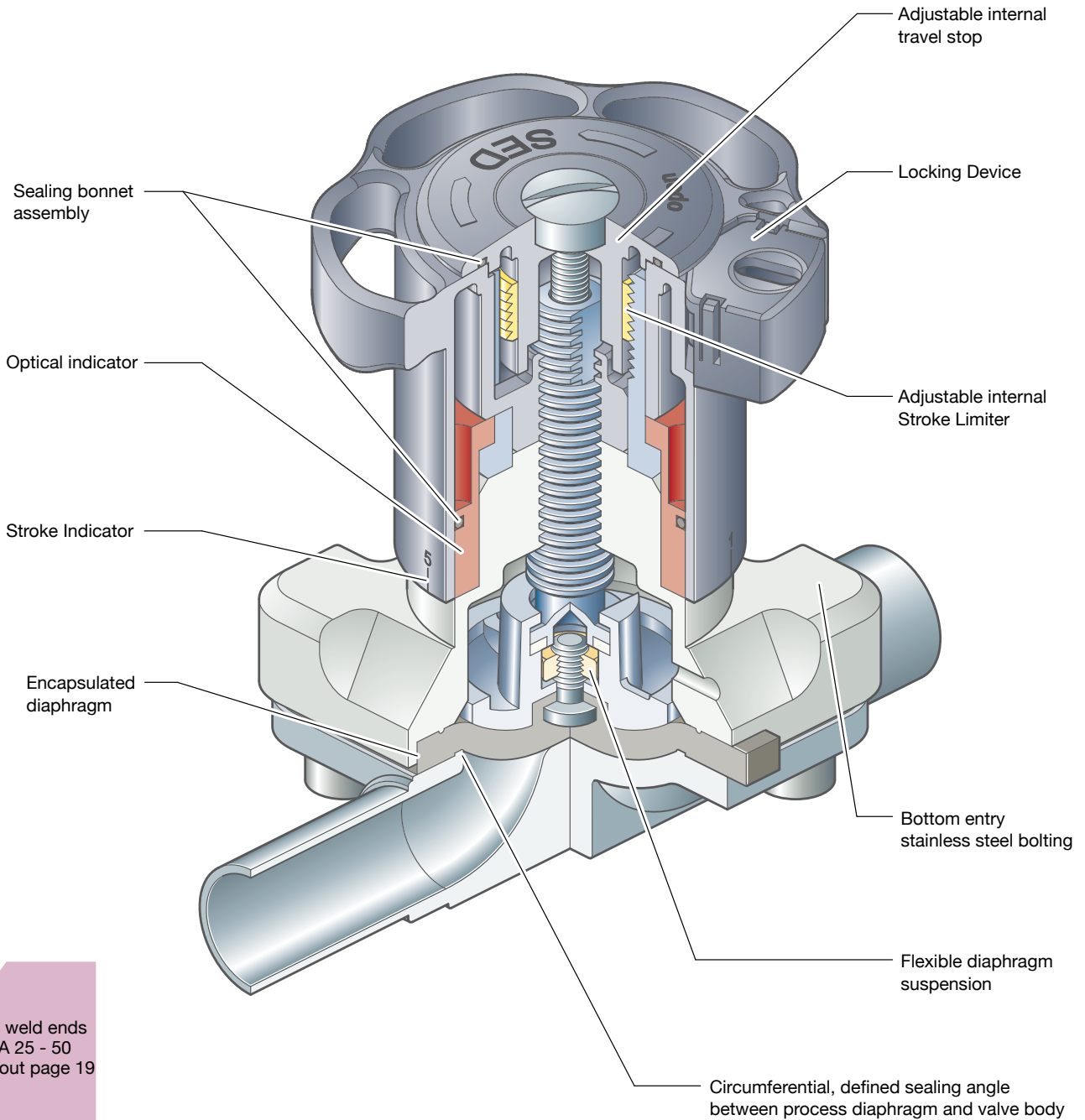


# KMA 905

## Manual Valve DN 15 - 50 mm (3/4" - 2")



Butt weld ends  
MA 25 - 50  
Fold out page 19



Introduction Video  
<http://www.sed-flowcontrol.com/en/service/movies>

# KMA 905

## Manual Valve DN 15 - 50 mm (3/4" - 2")



S01



S11

### Features

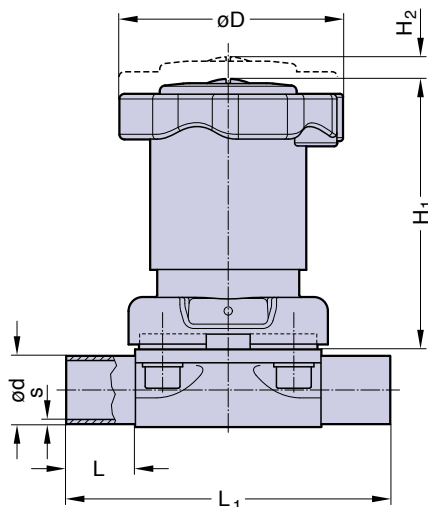
- Stainless steel bonnet and plastic hand wheel
- Rising hand wheel with optical indicator and stroke indicator
- Sealed bonnet
- Internal travel stop
- Locking device
- CDSA sealing concept, see page 30
- Flexible diaphragm suspension
- Encapsulated diaphragm

### Optional

- Adjustable internal stroke limiter
- U-Lock for hand wheel
- Assembly of proximity switches
- Manual diaphragm Valve with plastic hand wheel is suitable for a limited number of cycles.

### Technical Data

- Control function: Manually operated  
 Max. working pressure: 10 bar (150 psi)  
 Max. working temperature: 160°C (320°F) dependent on application  
 Diaphragm material: EPDM or PTFE  
 Valve body material: Forged 1.4435/ 316L ASME/BPE  
 Investment cast 1.4435/ 316L  
 Other Alloys
- End connection: Butt weld ends see fold out page 19  
 Clamps and flanges see page 20 and 21  
 Special ends
- Bonnets suitable for: Two-Way bodies  
 Welded configurations  
 T- bodies  
 Multiport bodies  
 Tank bottom bodies
- Flow rate: Kv in m<sup>3</sup>/h (Cv in GPM) see page 9  
 Diaphragm size: MA see table  
 Technical data also valid for multiport valve.



Butt weld ends  
 MA 25 - 50  
 Fold out page 19

DN (mm)	MA	Dimensions (mm)					Total weight ca. (kg)	
		L	L <sub>1</sub>	H <sub>1</sub>	H <sub>2</sub>	D	Investment cast	Forged
15-25	25	25	120	100	10	84	1,4	1,6
32-40	40	25	153	119	16	112	2,8	3,0
50	50	30	173	136	20	135	3,8	4,6

Ordering key see page 56.