

KMD 385

Pneumatically Operated Valve DN 15 - 80 mm (3/4" - 3")



Cf. 1

Features

- Plastic diaphragm actuator direct assembled with the valve body
- Actuator high resistance to heat transfer
- Smooth exterior design ideal for wash downs
- Control air connection 90° to flow direction
- Flexible diaphragm suspension
- Encapsulated diaphragm
- CDSA sealing concept, see page 30

Optional

- Available with a wide range of control equipment and accessories see page 102 to 108, also for retrofitting

Technical Data

Control function (Cf.): Pneumatically operated
 Fail safe close (NC): Cf. 1
 Fail safe open (NO): Cf. 2
 Double acting (DA): Cf. 3

Direction

Control connection: At Cf. 1, 2 & 3, 90° to flow direction, standard

Max. working pressure: Unidirectional (delta p = 100%)

Diaphragm	DN 15-50 (1/2"-2")	DN 65-80 (2,5"-3")
EPDM	10 bar (150 psi)	7 bar (100 psi)
PTFE	8 bar (115 psi)	6 bar (87 psi)

Higher working pressure may be achieved with different actuator. Please consult a SED factory representative for working pressure above the indicated maximum.

Max. working temperature: S-Version 80°C (176°F)

Control pressure:
 Cf. 1 DN 15-50 4,5 - 6 bar (65-87 psi)
 Cf. 1 DN 65-80 4,5 - 7 bar (65-100 psi)
 Cf. 2 & 3 DN 15-80 4 - 5,5 bar (60-80 psi)

Diaphragm material: EPDM or PTFE

Valve body material: Forged 1.4435/ 316 L ASME/BPE
 Investment cast 1.4435/ 316 L
 Other alloys

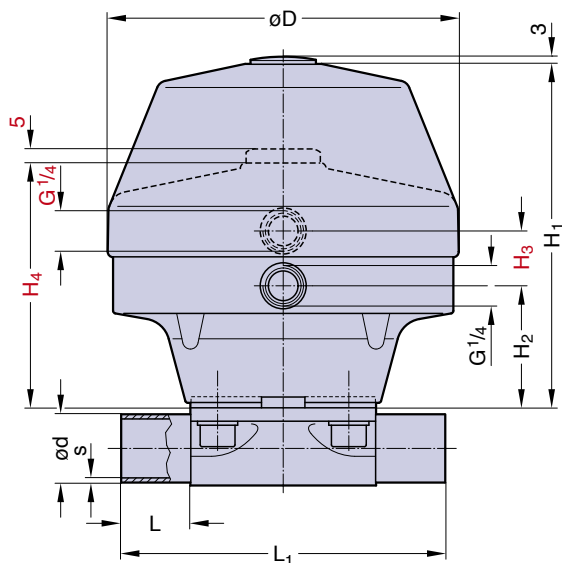
End connection: Butt weld ends see fold out page 19
 Clamps and flanges see page 20 and 21
 Special ends

Actuators suitable for: Two-Way bodies

Welded configurations

Flow rate: Kv in m³/h (Cv in GPM) see page 9

Diaphragm size: MA see table below



Butt weld ends
 MA 25 - 80
 Fold out page 19

DN (mm)	MA	Dimensions (mm)							Total weight ca. (kg)	
		L	L ₁	H ₁	H ₂	H ₃	H ₄	D	Investment cast	Forged
15-25	25	25	120	153	49	31	97	130	1,9	2,0
32-40	40	25	153	176	77	31	131	161	3,8	4,1
50	50	30	173	214	91	31	161	217	8,0	9,0
65	80	30	216	269	121	41	229	265	16,0	18,0
80	80	30	254	269	121	41	229	265	16,0	18,0

Note: H3 and H4 only for valves with Cf. 2 and Cf. 3 H1 only for valve with Cf. 1

Ordering key see page 56.