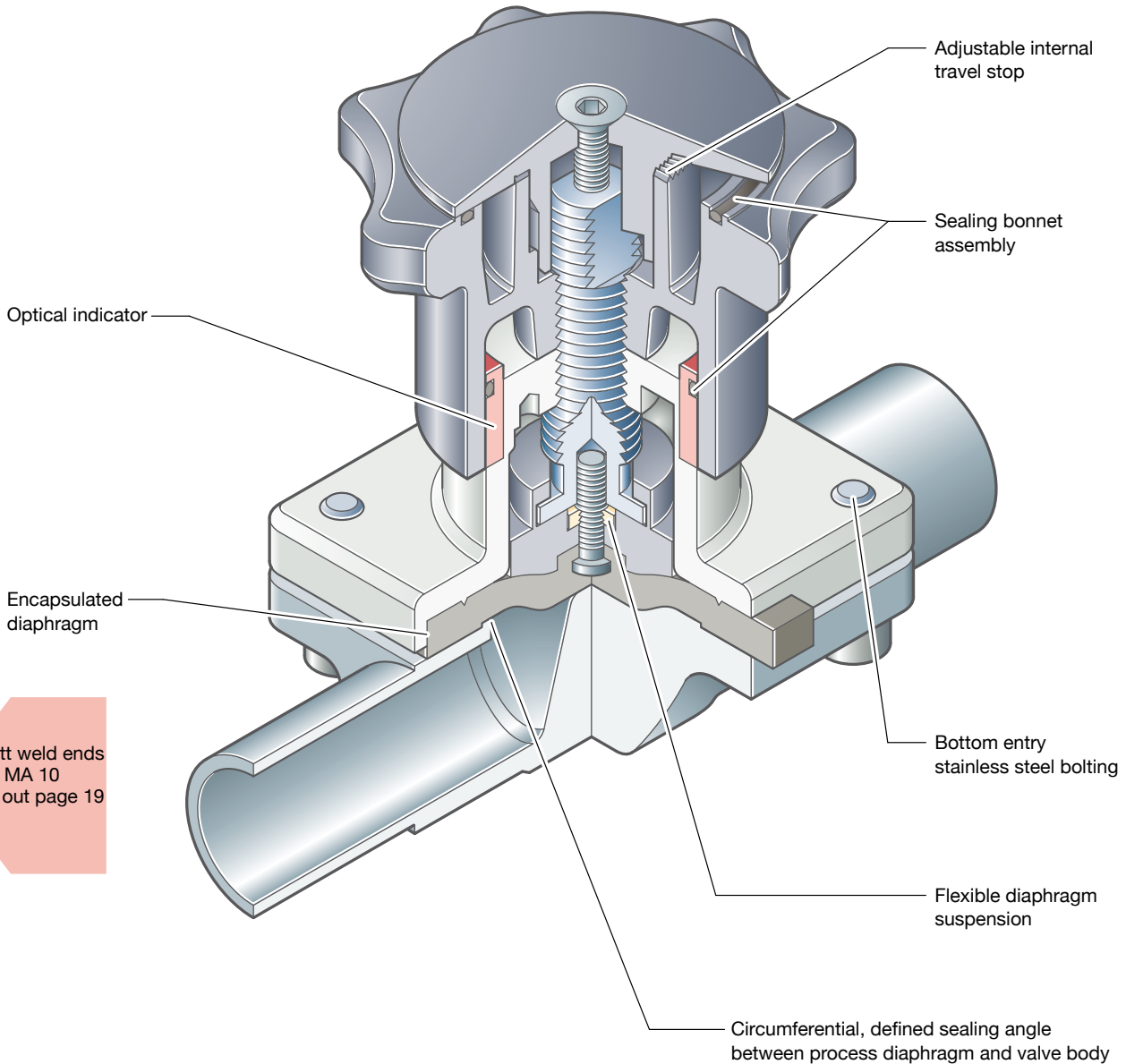


Steripur 397 / KMA 295 / KMD 289

Manual Valve DN 8 - 20 mm (3/8" - 3/4")



Sectional drawing shows KMA 295

Steripur 397 / KMA 295 / KMD 289

Manual Valve DN 8 - 20 mm (3/8" - 3/4")



Steripur 397



KMA 295



KMD 289

Butt weld ends
MA 10
Fold out page 19

Specific Features

Type 397 Steripur

- Stainless steel bonnet and hand wheel
- Autoclavable

Type 295 KMA

- Stainless steel bonnet and plastic hand wheel
- Manual diaphragm Valve with plastic hand wheel is suitable for a limited number of cycles.

Type 289 KMD

- Plastic bonnet and hand wheel

General Features

- Rising hand wheel
- Sealed bonnet with optical indicator
- Adjustable internal travel stop
- CDSA sealing concept, see page 30
- Flexible diaphragm suspension
- Encapsulated diaphragm

Optional

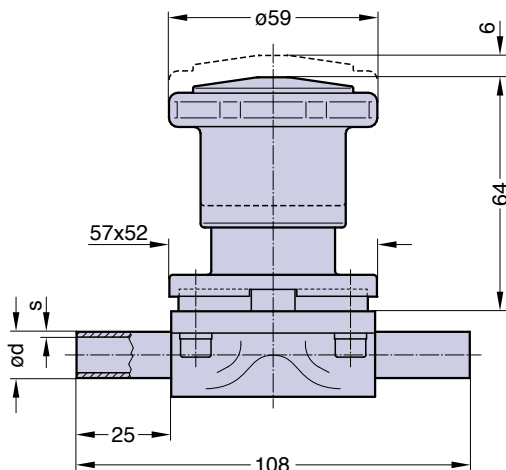
Type 397 Steripur

- Locking device

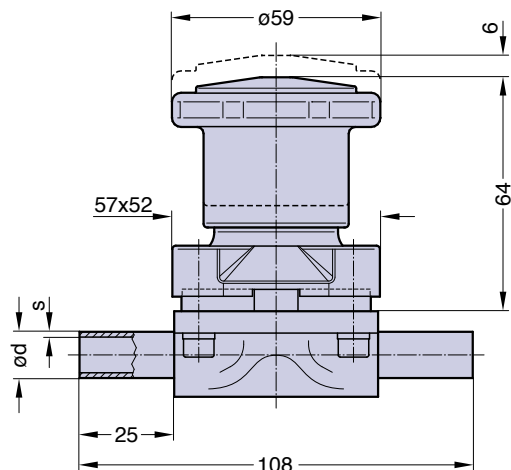
Technical Data

Control function:	Manually operated
Max. working pressure:	Type 295, 397: 10 bar (150 psi) Type 289: 6 bar (87 psi)
Max. working temperature:	Type 295, 397: 160°C (320°F) dependent on application Type 289 S-Version: 80°C (176°F) dependent on application Type 289 HS-Version: 150°C (300°F) dependent on application
Diaphragm material:	EPDM or PTFE
Body material:	Forged 1.4435/ 316L ASME/BPE Investment cast 1.4435/ 316L Other Alloys
End connection:	Butt weld ends see fold out page 19 Clamps and flanges see page 20 and 21 Special ends
Bonnets suitable for:	Two-Way bodies / Welded configurations T- bodies / Multiport bodies Tank bottom bodies
Flow rate:	Kv in m ³ /h (Cv in GPM) see page 9
Diaphragm size:	MA 10
Weight:	289: ca. 0,5 kg 295: ca. 0,6 kg 397: ca. 0,8 kg

Technical data also valid for multiport valve.



KMA 295 and Steripur 397



KMD 289

Ordering key see page 56.