



**MIKALOR**



**W1**

## Super Heavy-Duty Hose Clamp

Mikalor was the first company to design and produce a heavy-duty hose clamp, and since then the Super clamp has gone from strength to strength.

The high strength 8.8 grade steel nut and T-bolt mean that Super can be tightened up hard using many different kinds of tools, while the beveled edges protect the hose from harm.

The Super clamp is in its element in agricultural applications, waste water extraction, mining, quarrying or in other sectors where a rugged yet competitively priced heavy-duty clamp is required.

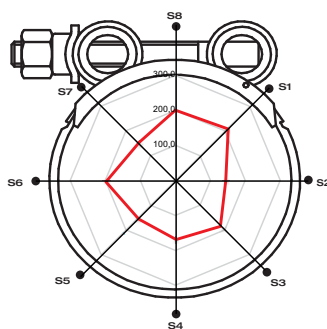
\* The maximum application pressure can vary depending on the type of hose used and the geometry of the coupling.  
**Patented Worldwide.**

### Super W1

Application Ø		Part n° W1	r	e	a	b	s	Max. Values* Torque (Nm)	Max. Values* Pressure (Bars)	Box Quantity (MOQ)	Packing
mm	inches										
17-19	11/16-3/4	03018263	M5	8	18 <sup>+02</sup>	19,8	0,6	4,5	48	50	400
20-22	25/32-29/32	03018271	M5	8	18 <sup>+02</sup>	19,8	0,6	4,5	48	50	400
23-25	29/32-1	03018280	M5	8	18 <sup>+02</sup>	19,8	0,6	4,5	45	50	400
26-28	1-1/32-1-7/64	03018298	M5	8	18 <sup>+02</sup>	19,8	0,6	4,5	45	50	400
29-31	1-5/32-1-7/32	03018300	M6	10	20 <sup>+03</sup>	22	0,8	8	42	50	50
32-35	1-17/64-1-3/8	03018319	M6	10	20 <sup>+03</sup>	22	0,8	8	42	50	50
36-39	1-27/64-1-17/32	03018327	M6	10	20 <sup>+03</sup>	22	0,8	8	40	50	50
40-43	1-9/16-1-11/16	03018335	M6	10	20 <sup>+03</sup>	22	0,8	8	40	50	50
44-47	1-47/64-1-27/32	03018010	M7	11	22 <sup>+02</sup>	24,5	1,2	16	44	50	50
48-51	1-57/64-2-1/64	03018028	M7	11	22 <sup>+02</sup>	24,5	1,2	16	44	50	50
52-55	2-3/64-2-11/64	03018036	M7	11	22 <sup>+02</sup>	24,5	1,2	16	40	25	25
56-59	2-13/64-2-21/64	03018044	M7	11	22 <sup>+02</sup>	24,5	1,2	16	40	25	25
60-63	2-23/64-2-31/64	03018052	M7	11	22 <sup>+02</sup>	24,5	1,2	16	36	25	25
64-67	2-33/64-2-41/64	03018060	M7	11	22 <sup>+02</sup>	24,5	1,2	16	36	25	25
68-73	2-11/16-3-7/8	03018079	M8	13	24 <sup>+04</sup>	26,5	1,5	25	28	25	25
74-79	2-29/32-3-7/64	03018087	M8	13	24 <sup>+04</sup>	26,5	1,5	25	28	25	25
80-85	3-5/32-3-11/32	03018095	M8	13	24 <sup>+04</sup>	26,5	1,5	25	28	25	25
86-91	3-25/64-3-37/64	03018108	M8	13	24 <sup>+04</sup>	26,5	1,5	25	20	25	25
92-97	3-5/8-3-13/16	03018116	M8	13	24 <sup>+04</sup>	26,5	1,5	25	20	25	25

Application Ø		Part n° W1	r	e	a	b	s	Max. Values* Torque (Nm)	Max. Values* Pressure (Bars)	Box Quantity (MOQ)	Packing
mm	inches										
98-103	3-55/64-4-1/16	03018124	M8	13	24 <sup>+04</sup>	26,5	1,5	25	20	25	25
104-112	4-3/32-4-3/8	03018132	M8	13	24 <sup>+04</sup>	26,5	1,5	25	12	25	25
113-121	4-29/64-4-49/64	03018140	M8	13	24 <sup>+04</sup>	26,5	1,5	25	12	25	25
122-130	4-51/64-5-1/8	03018159	M8	13	24 <sup>+04</sup>	26,5	1,5	25	12	25	25
131-139	5-5/32-5-15/32	03018167	M10	17	26 <sup>+05</sup>	29	1,7	50	9	10	10
140-148	5-33/64-5-53/64	03018175	M10	17	26 <sup>+05</sup>	29	1,7	50	9	10	10
149-161	5-55/64-6-11/32	03018183	M10	17	26 <sup>+05</sup>	29	1,7	50	9	10	10
162-174	6 3/8-6-7/8	03018191	M10	17	26 <sup>+05</sup>	29	1,7	50	6	10	10
175-187	6-57/64-7-23/64	03018204	M10	17	26 <sup>+05</sup>	29	1,7	50	6	10	10
188-200	7-13/32-7-7/8	03018212	M10	17	26 <sup>+05</sup>	29	1,7	50	6	10	10
201-213	7-29/32-8-25/64	03018220	M10	17	26 <sup>+05</sup>	29	1,7	50	3	10	10
214-226	8-27/64-8-57/64	03018239	M10	17	26 <sup>+05</sup>	29	1,7	50	3	10	10
227-239	8-15/16-9-13/32	03018247	M10	17	26 <sup>+05</sup>	29	1,7	50	3	10	10
240-252	9-29/64-9-59/64	03018255	M10	17	26 <sup>+05</sup>	29	1,7	50	3	10	10

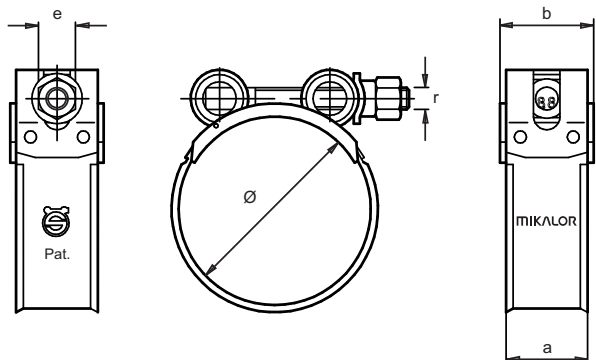
**W1 Screw:** 8.8 grade steel, white zinc-plated **Band, Bridge, Washer and Trunions:** Mild steel white zinc-plated



**Polar Diagram**

● Sectors	S1	S2	S3	S4	S5	S6	S7	S8
— 35 Nm	207,0	144,0	192,0	168,0	155,0	198,0	145,0	194,0

Torque / Efficiency [ Nm / daN ]





**W2**

## Supra Heavy-Duty Hose Clamp Stainless Steel

The Supra range is the natural evolution of the Super W1 Clamp. Due to its revolutionary swiveling bridge, Supra W2 can be mounted in the most awkward applications without having to remove the hose. It can be opened up and fastened again when in place without dislodging any other parts of the clamp, making assembly much easier.

Thanks to the beveled edges, the hose is protected from damage. The Supra W2 clamp complies fully with the RoHS directive EU 2003/2/EC dated 1st July 2006. The high-strength bolt, designed and manufactured by Mikalor specifically for this clamp, together with the captive nut and spacer system allow you to clamp the most demanding of hose assemblies. This is the clamp of choice for professionals in the industrial hose, automotive and agricultural machinery sectors as well as in all industrial applications where an outstanding and above all reliable heavy-duty clamp is required.

\* Special dimensions are available on request.

\* The maximum application pressure can vary depending on the type of hose used and the geometry of the coupling.

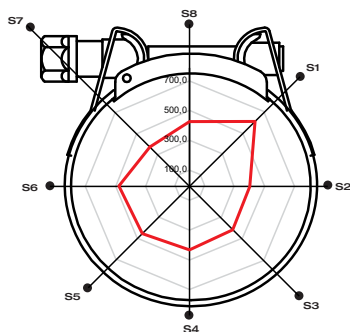
**Patented Worldwide.**

### Supra W2

Application Ø		Part n° W2	r	e	a	b	Max. Values* Torque (Nm)	Max. Values* Pressure (Bars)	Box Quantity (MOQ)	Packing
mm	inches									
17-19	11/16-3/4	03019012	M6	8	18 <sup>+02</sup>	20	10	45	50	400
19-21	3/4-53/64	03019020	M6	8	18 <sup>+02</sup>	19,8	10	45	50	400
21-23	53/64-29/32	03019039	M6	8	18 <sup>+02</sup>	20	10	45	50	400
23-25	29/32-1	03019047	M6	8	18 <sup>+02</sup>	19,8	10	45	50	400
25-27	1-1-1/16	03019055	M6	8	18 <sup>+02</sup>	20	10	45	50	400
27-29	1-1/16-15/32	03019063	M6	8	18 <sup>+02</sup>	19,8	10	45	50	200
29-31	1-5/32-1-7/32	03019071	M7	10	20 <sup>+03</sup>	22	13	40	50	50
31-34	17/32-1-11/32	03019080	M7	10	20 <sup>+03</sup>	22	13	40	50	50
34-37	1-11/32-1-29/64	03019098	M7	10	20 <sup>+03</sup>	22	13	40	50	50
37-40	1-29/64-19/16	03019100	M7	10	20 <sup>+03</sup>	22	13	40	50	50
40-43	1-9/16-1-11/16	03019119	M7	10	20 <sup>+03</sup>	22	13	40	50	50
43-47	1-11/16-1-27/32	03019127	M7	10	20 <sup>+03</sup>	22	16	36	50	50
47-51	1-27/32-2-1/64	03019135	M7	10	20 <sup>+03</sup>	22	16	36	50	50
51-55	2-1/64-2-11/64	03019143	M7	10	20 <sup>+03</sup>	22	16	36	25	25
55-59	2-11/64-2-21/64	03019151	M7	10	20 <sup>+03</sup>	22	16	36	25	25
59-63	2-21/64-2-31/64	03019160	M7	10	20 <sup>+03</sup>	22	16	36	25	25
63-68	2-31/64-2-11/16	03019178	M7	10	20 <sup>+03</sup>	22	16	36	25	25
68-73	2-11/16-3-7/8	03019186	M8	13	25 <sup>+04</sup>	27,5	30	28	25	25
73-79	3-7/8-3-7/64	03019194	M8	13	25 <sup>+04</sup>	28	30	28	25	25
79-85	3-7/64-3-11/32	03019207	M8	13	25 <sup>+04</sup>	27,5	30	28	25	25
85-91	3-11/32-3-37/64	03019215	M8	13	25 <sup>+04</sup>	27,5	30	20	25	25
91-97	3-37/64-3-13/16	03019223	M8	13	25 <sup>+04</sup>	27,5	30	20	25	25
97-104	3-13/16-4-3/32	03019231	M8	13	25 <sup>+04</sup>	27,5	30	20	25	25
104-112	4-3/32-4-3/8	03019240	M8	13	25 <sup>+04</sup>	27,5	30	12	25	25
112-121	4-3/8-4-49/64	03019258	M8	13	25 <sup>+04</sup>	27,5	30	12	25	25
121-130	4-49/64-5-1/8	03019266	M8	13	25 <sup>+04</sup>	27,5	30	12	25	25
130-140	5-1/8-5-33/64	03019274	M10	15	28 <sup>+04</sup>	31	45	9	10	10
140-150	5-33/64-5-29/32	03019282	M10	15	28 <sup>+04</sup>	31	45	9	10	10
150-162	5-29/32-6-3/8	03019290	M10	15	28 <sup>+04</sup>	31	45	9	10	10
162-174	6-3/8-6-7/8	03019303	M10	15	28 <sup>+04</sup>	31	45	6	10	10
174-187	6-7/8-7-23/64	03019311	M10	15	28 <sup>+04</sup>	31	45	6	10	10
187-200	7-23/64-7-7/8	03019320	M10	15	28 <sup>+04</sup>	31	45	6	10	10

Application Ø		Part n° W2	r	e	a	b	Max. Values* Torque (Nm)	Max. Values* Pressure (Bars)	Box Quantity (MOQ)	Packing
mm	inches									
200-213	7-7/8-8-25/64	03019338	M10	15	28 <sup>+04</sup>	31	45	3	10	10
213-226	8-25/64-8-57/64	03019346	M10	15	28 <sup>+04</sup>	31	45	3	10	10
226-239	8-57/64-9-13/32	03019354	M10	15	28 <sup>+04</sup>	31	45	3	10	10
239-252	9-13/32-9-59/64	03019362	M10	15	28 <sup>+04</sup>	31	45	3	10	10
252-265	9-59/64-10-7/16	03019370	M10	15	28 <sup>+04</sup>	31	45	3	10	10
265-278	10-7/16-10-151/6	03019477	M10	15	28 <sup>+04</sup>	31	45	3	10	10
278-291	10-15/16-11-29/64	03019392	M10	15	28 <sup>+04</sup>	31	45	3	10	10
291-304	11-29/64-11-31/32	03019403	M10	15	28 <sup>+04</sup>	31	45	3	10	10
304-317	11-31/32-12-31/64	03019411	M10	15	28 <sup>+04</sup>	31	45	3	10	10
317-330	12-31/64-12-63/64	03019485	M10	15	28 <sup>+04</sup>	31	45	3	10	10
330-343	12-63/64-13-1/2	03019422	M10	15	28 <sup>+04</sup>	31	45	3	10	10
343-356	13-1/2-14-1/64	03019433	M10	15	28 <sup>+04</sup>	31	45	3	10	10
356-369	14-1/64-14-17/32	03019444	M10	15	28 <sup>+04</sup>	31	45	3	10	10
369-382	14-17/32-15-3/64	03019455	M10	15	28 <sup>+04</sup>	31	45	3	10	10
382-395	15-3/64-15-35/64	03019499	M10	15	28 <sup>+04</sup>	31	45	3	10	10
395-408	15-35/64-16-1/16	03019500	M10	15	28 <sup>+04</sup>	31	45	3	10	10

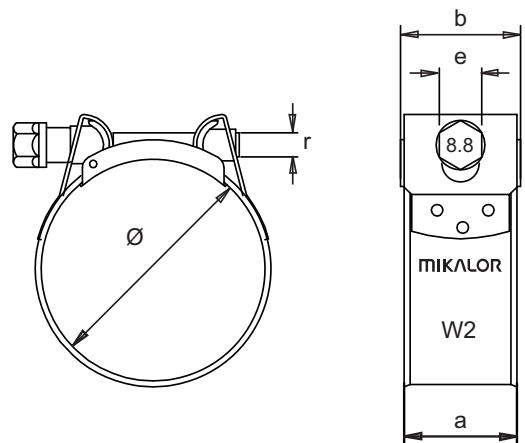
**W2 Band and Bridge:** X6Cr17 Stainless steel (DIN 1.4016)(AISI-430) **Bolt:** Qst 36-3 Mild steel (DIN 1.0213) Silver-white Cr3 Zinc-plated



**Polar Diagram**

● Sectors	S1	S2	S3	S4	S5	S6	S7	S8
— 35 Nm	611,0	404,0	410,0	435,0	456,0	472,0	372,0	428,0

Torque / Efficiency [ Nm / daN ]





**W4**

## Supra Heavy-Duty Hose Clamp Stainless Steel

The Supra range is the natural evolution of the Super W1 Clamp. Due to its revolutionary swiveling bridge, Supra W4 can be mounted in the most awkward applications without having to remove the hose. It can be opened up and fastened again when in place without dislodging any other parts of the clamp, making assembly much easier.

Thanks to the beveled edges, the hose is protected from damage. The Supra W4 clamp complies fully with the RoHS directive EU 20032/95/EC dated 1st July 2006.

The stainless steel bolt together with the captive nut and spacer system allow you to clamp the most demanding of hose assemblies. Supra W4 is a full stainless steel clamp, destined for demanding applications where high corrosion resistance is vital. This top of the range heavy-duty clamp is ideal for marine applications and the foodstuffs industry, as well as for countless industrial applications where AISI-304 stainless steel is specified.

\* Special dimensions are available on request.

\* The maximum application pressure can vary depending on the type of hose used and the geometry of the coupling.

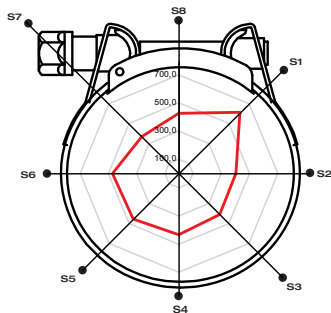
**Patented Worldwide.**

### Supra W4

Application Ø		Part n° W4	r	e	a	b	Max. Values* Torque (Nm)	Max. Values* Pressure (Bars)	Box Quantity (MOQ)	Packing
mm	inches									
17-19	11/16-3/4	03013016	M6	8	18 <sup>+02</sup>	19,8	10	40	50	400
19-21	3/4-53/64	03013024	M6	8	18 <sup>+02</sup>	19,8	10	40	50	400
21-23	53/64-29/32	03013032	M6	8	18 <sup>+02</sup>	19,8	10	40	50	400
23-25	29/32-1	03013040	M6	8	18 <sup>+02</sup>	19,8	10	40	50	400
25-27	1-1-1/16	03013059	M6	8	18 <sup>+02</sup>	19,8	10	40	50	400
27-29	1-1/16-15/32	03013067	M6	8	18 <sup>+02</sup>	19,8	10	40	50	200
29-31	1-5/32-1-7/32	03013075	M7	11	20 <sup>+03</sup>	22	12	35	50	50
31-34	17/32-1-11/32	03013083	M7	11	20 <sup>+03</sup>	22	12	35	50	50
34-37	1-11/32-1-29/64	03013091	M7	11	20 <sup>+03</sup>	22	12	35	50	50
37-40	1-29/64-19/16	03013104	M7	11	20 <sup>+03</sup>	22	12	35	50	50
40-43	1-9/16-1-11/16	03013112	M7	11	20 <sup>+03</sup>	22	12	35	50	50
43-47	1-11/16-1-27/32	03013120	M7	11	20 <sup>+03</sup>	22	12	35	50	50
47-51	1-27/32-2-1/64	03013139	M7	11	20 <sup>+03</sup>	22	16	30	50	50
51-55	2-1/64-2-11/64	03013147	M7	11	20 <sup>+03</sup>	22	16	30	25	25
55-59	2-11/64-2-21/64	03013155	M7	11	20 <sup>+03</sup>	22	16	30	25	25
59-63	2-21/64-2-31/64	03013163	M7	11	20 <sup>+03</sup>	22	16	30	25	25
63-68	2-31/64-2-11/16	03013171	M7	11	20 <sup>+03</sup>	22	16	30	25	25
68-73	2-11/16-3-7/8	03013180	M8	13	25 <sup>+04</sup>	27,5	30	20	25	25
73-79	3-7/8-3-7/64	03013198	M8	13	25 <sup>+04</sup>	27,5	30	20	25	25
79-85	3-7/64-3-11/32	03013200	M8	13	25 <sup>+04</sup>	27,5	30	20	25	25
85-91	3-11/32-3-37/64	03013219	M8	13	25 <sup>+04</sup>	27,5	30	15	25	25
91-97	3-37/64-3-13/16	03013227	M8	13	25 <sup>+04</sup>	27,5	30	15	25	25
97-104	3-13/16-4-3/32	03013235	M8	13	25 <sup>+04</sup>	27,5	30	15	25	25
104-112	4-3/32-4-3/8	03013243	M8	13	25 <sup>+04</sup>	27,5	30	10	25	25
112-121	4-3/8-4-49/64	03013251	M8	13	25 <sup>+04</sup>	27,5	30	10	25	25
121-130	4-49/64-5-1/8	03013260	M8	13	25 <sup>+04</sup>	27,5	30	10	25	25
130-140	5-1/8-5-33/64	03013278	M10	15	28 <sup>+04</sup>	31	45	6	10	10
140-150	5-33/64-5-29/32	03013286	M10	15	28 <sup>+04</sup>	31	45	6	10	10
150-162	5-29/32-6-3/8	03013294	M10	15	28 <sup>+04</sup>	31	45	6	10	10
162-174	6-3/8-6-7/8	03013307	M10	15	28 <sup>+04</sup>	31	45	3	10	10
174-187	6-7/8-7-23/64	03013315	M10	15	28 <sup>+04</sup>	31	45	3	10	10
187-200	7-23/64-7-7/8	03013323	M10	15	28 <sup>+04</sup>	31	45	3	10	10

Application Ø		Part n° W4	r	e	a	b	Max. Values* Torque (Nm)	Max. Values* Pressure (Bars)	Box Quantity (MOQ)	Packing
mm	inches									
200-213	7-7/8-8-25/64	03013331	M10	15	28 <sup>+04</sup>	31	45	3	10	10
213-226	8-25/64-8-57/64	03013340	M10	15	28 <sup>+04</sup>	31	45	3	10	10
226-239	8-57/64-9-13/32	03013358	M10	15	28 <sup>+04</sup>	31	45	3	10	10
239-252	9-13/32-9-59/64	03013366	M10	15	28 <sup>+04</sup>	31	45	3	10	10
252-265	9-59/64-10-7/16	03013374	M10	15	28 <sup>+04</sup>	31	45	3	10	10
265-278	10-7/16-10-151/6	03013390	M10	15	28 <sup>+04</sup>	31	45	3	10	10
278-291	10-15/16-11-29/64	03013422	M10	15	28 <sup>+04</sup>	31	45	3	10	10
291-304	11-29/64-11-31/32	03013433	M10	15	28 <sup>+04</sup>	31	45	3	10	10
304-317	11-31/32-12-31/64	03013444	M10	15	28 <sup>+04</sup>	31	45	3	10	10
317-330	12-31/64-12-63/64	03013403	M10	15	28 <sup>+04</sup>	31	45	3	10	10
330-343	12-63/64-13-1/2	03013455	M10	15	28 <sup>+04</sup>	31	45	3	10	10
343-356	13-1/2-14-1/64	03013466	M10	15	28 <sup>+04</sup>	31	45	3	10	10
356-36*9	14-1/64-14-17/32	03013477	M10	15	28 <sup>+04</sup>	31	45	3	10	10
369-382	14-17/32-15-3/64	03013488	M10	15	28 <sup>+04</sup>	31	45	3	10	10
382-395	15-3/64-15-35/64	03013499	M10	15	28 <sup>+04</sup>	31	45	3	10	10
395-408	15-35/64-16-1/16	03013500	M10	15	28 <sup>+04</sup>	31	45	3	10	10

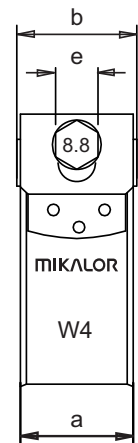
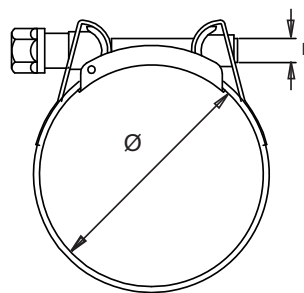
**W4 Band and Bridge:** X5CrNi 1810 Stainless steel (DIN 1.4301)(AISI-304) (A2) **Bolt:** (AISI-302) Cu Stainless steel



**Polar Diagram**

● Sectors	S1	S2	S3	S4	S5	S6	S7	S8
— 35 Nm	611,0	404,0	410,0	435,0	456,0	472,0	372,0	428,0

Torque / Efficiency [ Nm / daN ]





**W5**

## Supra Heavy-Duty Hose Clamp AISI-316 Stainless Steel

The Supra range is the natural evolution of the Super W1 clamp. Due to its revolutionary swiveling bridge, the Supra W5 clamp can be mounted in the most awkward applications without having to remove the hose. Once mounted, it can be opened up and fastened again without dislodging or losing any of the other components of the clamp, making assembly much easier.

Thanks to the beveled edges, the hose is protected from damage. The Supra W5 clamp complies fully with RoHS directive EU 2002/95/EC dated 1st July 2006. The AISI 316 stainless steel bolt together with the captive nut and spacer system allow you to clamp the most demanding of assemblies. Supra W5 is a full stainless steel clamp destined for demanding applications where very high corrosion resistance is vital. This top of the range heavy-duty clamp is ideal for marine applications, foodstuff manufacture, pharmaceutical and petrochemical industries and other applications where AISI 316 stainless steel fittings are required.

\* Special dimensions are available on request

\* The maximum application pressure can vary depending on the type of hose used and the geometry of the coupling

**Patented Worldwide.**

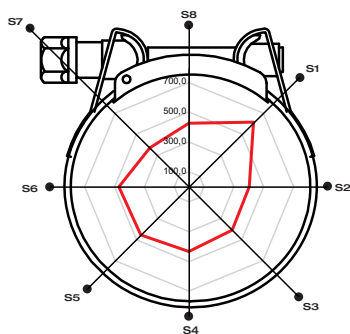
### Supra W5

Application Ø		Part n° W5	r	e	a	b	Max. Values* Torque (Nm)	Max. Values* Pressure (Bars)	Box Quantity (MOQ)	Packing
mm	inches									
17-19	11/16-3/4	03013614	M6	8	18 <sup>+02</sup>	19,8	10	40	50	400
19-21	3/4-53/64	03013622	M6	8	18 <sup>+02</sup>	19,8	10	40	50	400
21-23	53/64-29/32	03013630	M6	8	18 <sup>+02</sup>	19,8	10	40	50	400
23-25	29/32-1	03013649	M6	8	18 <sup>+02</sup>	19,8	10	40	50	400
25-27	1-1-1/16	03013657	M6	8	18 <sup>+02</sup>	19,8	10	40	50	400
27-29	1-1/16-15/32	03013665	M6	8	18 <sup>+02</sup>	19,8	10	40	50	200
29-31	1-5/32-1-7/32	03013673	M7	11	20 <sup>+03</sup>	22	12	35	50	50
31-34	17/32-1-11/32	03013681	M7	11	20 <sup>+03</sup>	22	12	35	50	50
34-37	1-11/32-1-29/64	03013690	M7	11	20 <sup>+03</sup>	22	12	35	50	50
37-40	1-29/64-19/16	03013702	M7	11	20 <sup>+03</sup>	22	12	35	50	50
40-43	1-9/16-1-11/16	03013710	M7	11	20 <sup>+03</sup>	22	12	35	50	50
43-47	1-11/16-1-27/32	03013729	M7	11	20 <sup>+03</sup>	22	12	35	50	50
47-51	1-27/32-2-1/64	03013737	M7	11	20 <sup>+03</sup>	22	16	30	50	50
51-55	2-1/64-2-11/64	03013745	M7	11	20 <sup>+03</sup>	22	16	30	25	25
55-59	2-11/64-2-21/64	03013753	M7	11	20 <sup>+03</sup>	22	16	30	25	25
59-63	2-21/64-2-31/64	03013761	M7	11	20 <sup>+03</sup>	22	16	30	25	25
63-68	2-31/64-2-11/16	03013770	M7	11	20 <sup>+03</sup>	22	16	30	25	25
68-73	2-11/16-3-7/8	03013788	M8	13	25 <sup>+04</sup>	27,5	30	20	25	25
73-79	3-7/8-3-7/64	03013796	M8	13	25 <sup>+04</sup>	27,5	30	20	25	25
79-85	3-7/64-3-11/32	03013809	M8	13	25 <sup>+04</sup>	27,5	30	20	25	25
85-91	3-11/32-3-37/64	03013817	M8	13	25 <sup>+04</sup>	27,5	30	15	25	25
91-97	3-37/64-3-13/16	03013825	M8	13	25 <sup>+04</sup>	27,5	30	15	25	25
97-104	3-13/16-4-3/32	03013833	M8	13	25 <sup>+04</sup>	27,5	30	15	25	25
104-112	4-3/32-4-3/8	03013841	M8	13	25 <sup>+04</sup>	27,5	30	10	25	25
112-121	4-3/8-4-49/64	03013850	M8	13	25 <sup>+04</sup>	27,5	30	10	25	25
121-130	4-49/64-5-1/8	03013868	M8	13	25 <sup>+04</sup>	27,5	30	10	25	25
130-140	5-1/8-5-33/64	03013876	M10	15	28 <sup>+04</sup>	31	45	6	10	10
140-150	5-33/64-5-29/32	03013884	M10	15	28 <sup>+04</sup>	31	45	6	10	10
150-162	5-29/32-6-3/8	03013892	M10	15	28 <sup>+04</sup>	31	45	6	10	10
162-174	6-3/8-6-7/8	03013905	M10	15	28 <sup>+04</sup>	31	45	3	10	10
174-187	6-7/8-7-23/64	03013913	M10	15	28 <sup>+04</sup>	31	45	3	10	10
187-200	7-23/64-7-7/8	03013921	M10	15	28 <sup>+04</sup>	31	45	3	10	10



Application Ø		Part n° W5	r	e	a	b	Max. Values* Torque (Nm)	Max. Values* Pressure (Bars)	Box Quantity (MOQ)	Packing
mm	inches									
200-213	7-7/8-8-25/64	03013930	M10	15	28 <sup>+04</sup>	31	45	3	10	10
213-226	8-25/64-8-57/64	03013948	M10	15	28 <sup>+04</sup>	31	45	3	10	10
226-239	8-57/64-9-13/32	03013956	M10	15	28 <sup>+04</sup>	31	45	3	10	10
239-252	9-13/32-9-59/64	03013964	M10	15	28 <sup>+04</sup>	31	45	3	10	10
252-265	9-59/64-10-7/16	03013971	M10	15	28 <sup>+04</sup>	31	45	3	10	10
265-278	10-7/16-10-151/6	03013981	M10	15	28 <sup>+04</sup>	31	45	3	10	10
278-291	10-15/16-11-29/64	03013982	M10	15	28 <sup>+04</sup>	31	45	3	10	10
291-304	11-29/64-11-31/32	03013983	M10	15	28 <sup>+04</sup>	31	45	3	10	10
304-317	11-31/32-12-31 /64	03013984	M10	15	28 <sup>+04</sup>	31	45	3	10	10
317-330	12-31/64-12-63/64	03013985	M10	15	28 <sup>+04</sup>	31	45	3	10	10
330-343	12-63/64-13-1/2	03013986	M10	15	28 <sup>+04</sup>	31	45	3	10	10
343-356	13-1/2-14-1/64	03013991	M10	15	28 <sup>+04</sup>	31	45	3	10	10
356-36*9	14-1/64-14-17/32	03013992	M10	15	28 <sup>+04</sup>	31	45	3	10	10
369-382	14-17/32-15-3/64	03013993	M10	15	28 <sup>+04</sup>	31	45	3	10	10
382-395	15-3/64-15-35/64	03013994	M10	15	28 <sup>+04</sup>	31	45	3	10	10
395-408	15-35/64-16-1/16	03013995	M10	15	28 <sup>+04</sup>	31	45	3	10	10

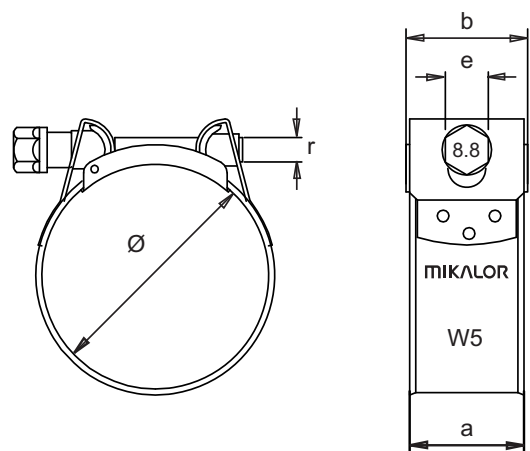
**W5 Band and Bridge:** X5 Cr Ni MO 17.12.2 (DIN 1.4401) (AISI-316) (A4) **Bolt:** (AISI-316) Cu (A4) Stainless steel



**Polar Diagram**

● Sectors	S1	S2	S3	S4	S5	S6	S7	S8
— 35 Nm	611,0	404,0	410,0	435,0	456,0	472,0	372,0	428,0

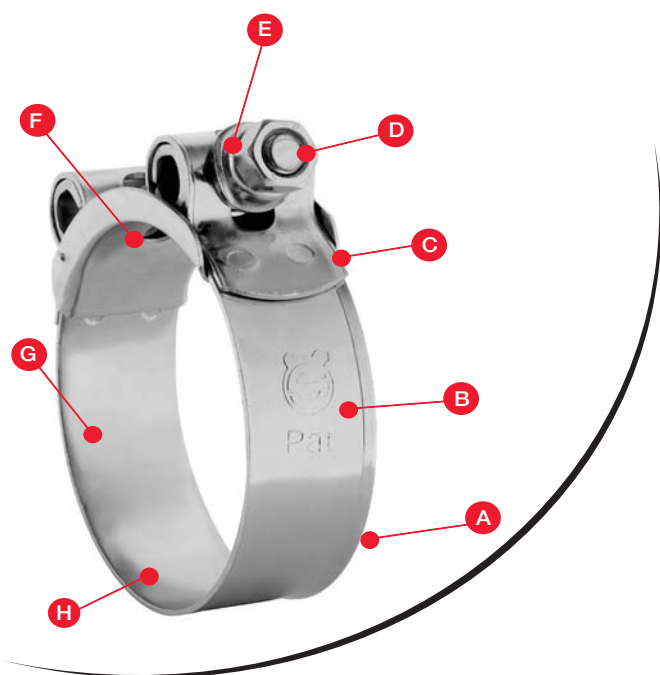
Torque / Efficiency [ Nm / daN ]



# MIKALOR

# Technical Information

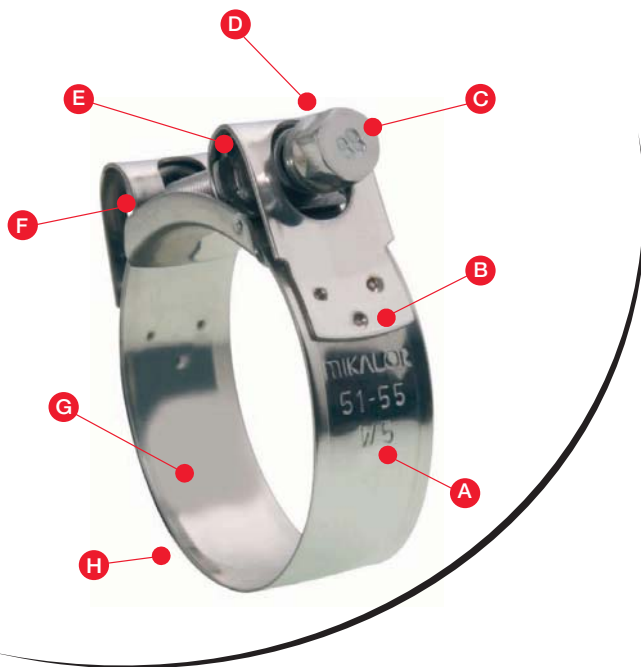
## Super<sup>®</sup> Heavy-Duty Hose Clamp



- A** Cr VI-free white zinc-plated.
- B** Mikalor logo.
- C** Two spot-welds guarantee excellent response in applications requiring very high torque.
- D** T-bolt and hex nut in high impact grade 8.8 steel.
- E** Washer specially designed to separate trunion and nut.
- F** Protective bridge designed to avoid friction between the bolt and the hose and to ensure a leak-proof assembly.
- G** Clamp identified with the Mikalor logo and the application diameter.
- H** Beveled band edges protect the hose from damage.

# Technical Information

## Supra<sup>®</sup> Heavy-Duty Hose Clamp



- A** All Supra clamps are marked with the application range, material quality and the Mikalor logo.
- B** Three spot welds with protuberances guarantee excellent response in applications which require very high torque.
- C** Bolt custom-manufactured by Mikalor for the Supra range.
- D** Manual or automatic assembly.
- E** This revolutionary design feature makes it impossible for the captive nut or trunions to be dislodged.
- F** The swiveling bridge makes it easy to assemble and remove the Supra clamp. It also prevents deformation of the bridge during application.
- G** Supra complies with DIN 3017-3 and the EC directive 2002/95/EC dated 1st July 2006.
- H** Beveled band edges protect the hose from damage.