



Cert. No. LRQ 0963008

ISO 9001

spirax sarco

UBP32

TI-P127-01
ST Issue 7

Sealed Balanced Pressure Thermostatic Steam Trap for use with Pipeline Connectors

Description

The UBP32 is a maintenance free sealed balanced pressure steam trap manufactured in stainless steel - It can also be supplied with an inbuilt check valve designated UBP32CV. When installed with a suitable pipeline connector the UBP32 can easily and simply be removed without breaking into the pipeline thus speeding up trap replacement with minimal system downtime. Pipeline connectors are available with screwed, socket weld and flanged connections.

Capsule operation

As standard the UBP32 is supplied with a thermostatic capsule (STD) which operates approximately 12°C below steam saturation temperature. It can also be supplied with capsules operating near to steam 4°C below (NTS) or sub cooled 22°C below (SUB).

Standards

This product fully complies with the requirements of the European Pressure Equipment Directive 97/23/EC.

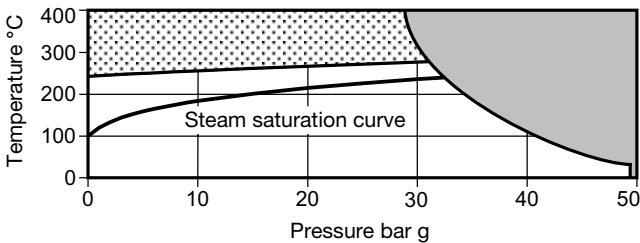
The body to cover welded joint complies with ASME Section IX and BS/EN 288.

Certification

This product is available with certification to EN 10204 3.1.

Note: All certification/inspection requirements must be stated at the time of order placement.

Pressure / temperature limits (ISO 6552)



The product **must not** be used in this region.

The product should not be used in this region or beyond its operating range as damage to the internals may occur.

Note: The model of pipeline connector and connection selected will dictate the maximum operating limits of the complete assembly. Reference the specific pipeline connector Technical Information sheet as detailed in 'Pipeline connector options'.

Body design conditions	PN50 (ANSI 300)
PMA Maximum allowable pressure	50 bar g @ 38°C
TMA Maximum allowable temperature	400°C @ 28 bar g
Minimum allowable temperature	-48°C
PMO Maximum operating pressure for saturated steam service	32 bar g
TMO Maximum operating temperature	286°C @ 31 bar g
Minimum operating temperature	0°C

Note: For lower operating temperatures consult Spirax Sarco
Designed for a maximum cold hydraulic test pressure of 75 bar g

Pipeline connector options

The UBP32 can be fitted to a variety of pipeline connectors:

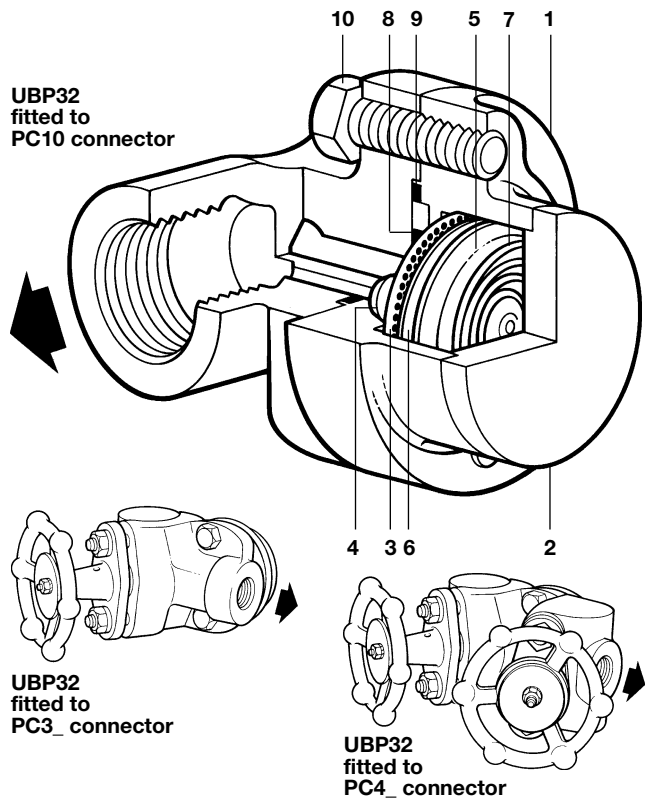
PC10 Straight connector ANSI/ASME 300 (TI-P128-10)

PC10HP Straight connector ANSI/ASME 600 (TI-P128-10)

PC3_ Connector with one piston isolation valve ANSI/ASME 600 (TI-P128-02)

PC4_ Connector with two piston isolation valves ANSI/ASME 600 (TI-P128-03)

See the relevant Technical Information sheet as listed above for details of connections available for each pipeline connector.

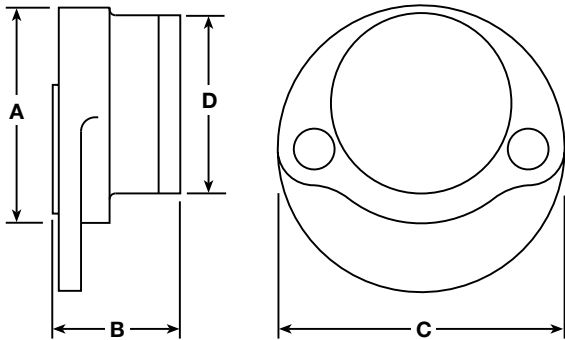


Materials

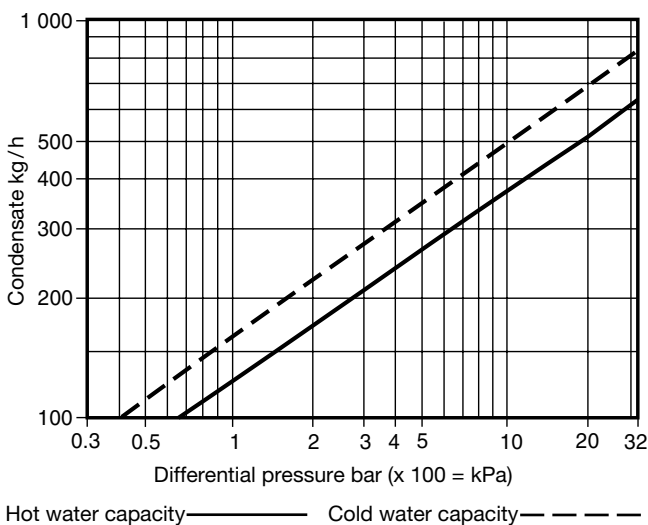
No.	Part	Material
1	Body	Austenitic stainless steel (304 grade) ASTM A351 Gr. CF8
2	Cover	Austenitic stainless steel (304 grade) ASTM A276 Gr. 304
3	Screen	Stainless steel ASTM A240 Gr. 304
4	Seat	Stainless steel ASTM A276 Gr. 431
5	Capsule	Stainless steel
6	Spacer plate	Stainless steel ASTM A240 Gr. 304
7	Spring	Stainless steel ASTM A313 Gr. 302
8	Inlet gasket	Graphite / Stainless steel laminate AISI 316 strip
9	Outlet gasket	Graphite / Stainless steel laminate AISI 316 strip
10	Connector screws	Steel ASTM A193 B7

Dimensions/weight (approximate) in mm and kg

A	B	C	D	Weight (trap unit only)
35	33	68	42.5	0.43



Capacities



How to specify

Steam traps shall be of the sealed balanced pressure thermostatic UBP32 type manufactured in stainless steel and be suitable for operating pressures up to 32 bar g. Traps to be zero maintenance and be connected to separate pipeline connectors by two screws to allow for quick and simple installation/replacement. The thermostatic capsule is to operate at 12°C/22°C/4°C below steam temperature depending on the capsule selected. Traps can be installed in any plane.

How to order

The UBP32 is supplied in two parts:-

- The swivel pipeline connector**
 - PC1_ Standard connection
 - PC3_ One integral ISO valve
 - PC4_ Two integral ISO valves
- The UBP32 trap** complete with inner and outer gaskets (securely crimped in place) and two connector screws. All items will be supplied in a protective box.

How to order example:

- 1 off Spirax Sarco DN20 PC10 swivel pipeline connector with socket weld connections.
- 1 off Spirax Sarco UBP32 sealed balanced pressure thermostatic steam trap fitted with an STD capsule.

Safety information, installation and maintenance

For full details see the Installation and Maintenance Instructions (IM-P127-02) supplied with the product.

Installation note:

The UBP32 can be installed on any pipeline connector in any plane.

Disposal

This product is recyclable. No ecological hazard is anticipated with the disposal of this product providing due care is taken.

Spare parts

The UBP32 is a sealed non-maintainable trap unit. No internal spares are available.

The spares which are available are shown in solid outline. Parts shown in a broken line are not available as spares.

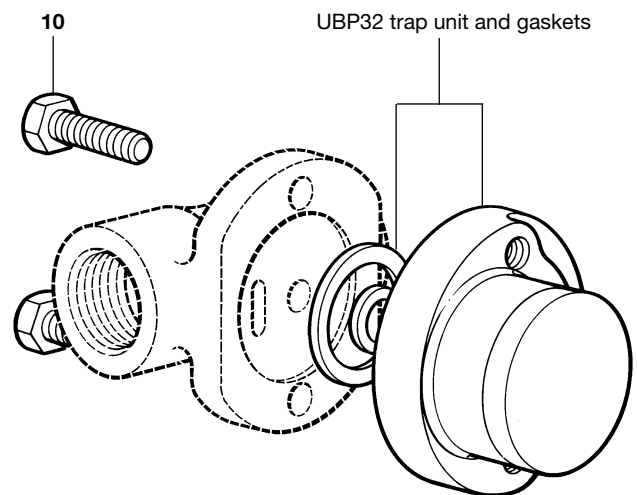
Available spares

Connector screws	10
Complete UBP32 trap unit inclusive of gaskets and connector screws (10)	



How to order spares

Always order spare parts by using the description given in the column headed 'Available spares' and state the size, Model No. and pressure rating of the trap.

Example: 2 - Connector screws for a UBP32 sealed balanced pressure thermostatic steam trap.



Recommended tightening torques

Item	 or 	N m	(lbf ft)
10	9/16" mm	30 - 35	(22 - 26)