

WAV1

Solenoid Valve

Installation and Maintenance Instructions

1. Safety information

Your attention is drawn to Safety Information Leaflet IM-GCM-10, and, in the UK to IEE Regulations (BS 7671). Elsewhere, other regulations will normally apply.

2. Description

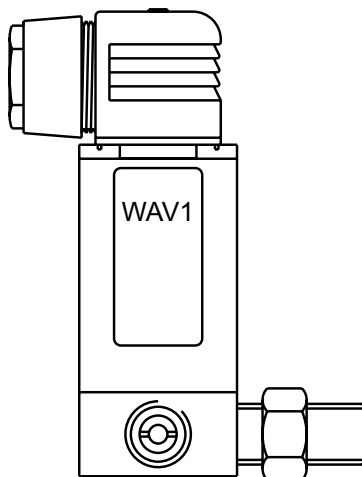
The WAV1 solenoid is designed for use with the BBV980A bottom blowdown valve. The valve is a 3-port solenoid valve for use with air or water up to 90°C. The valve has a brass body and corrosion resistant internals. Application of the rated voltage to the coil will allow air or water into the BBV980A actuator. When de-energised the solenoid will vent the compressed air or water in the actuator to atmosphere or drain.

3. Technical data

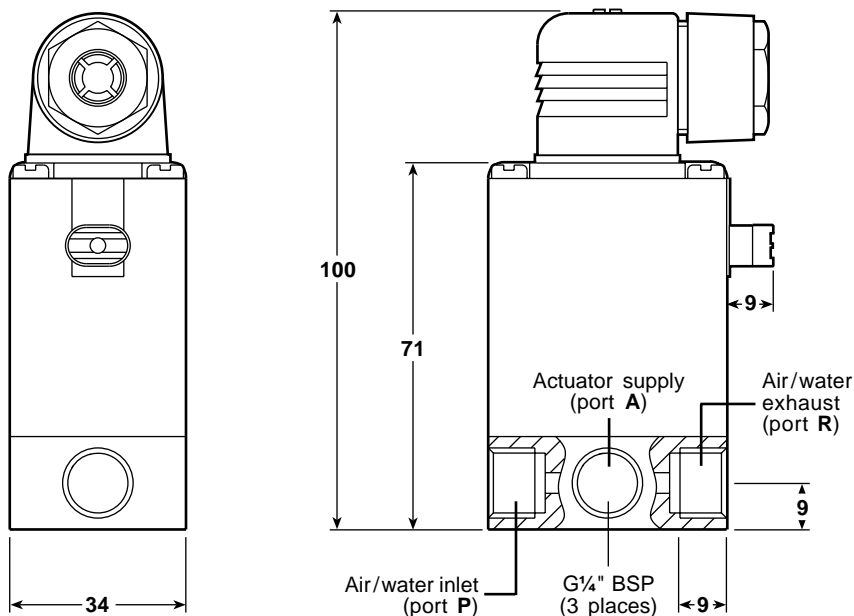
Enclosure rating	IP65
Maximum cable size	Ø7
Maximum ambient temperature	+55°C
Weight	0.40 kg
Power consumption	30 VA (inrush) 5 VA/8 W (hold)
Voltages available	24, 110, 220/240 Vac
Fluid duty	Air or water
Maximum operating pressure	5 bar g
Fluid temperature range	0 to +90°C
Response times	Opening 8-15 ms Closing 8-15 ms.

4. Materials

Part	Material
Body	Brass
Internals	Brass
Seal	Nitrile rubber



5. Dimensions (approximate) in millimetres



6. Installation

The WAV1 is rated for operation in ambient temperatures from -5°C to $+50^{\circ}\text{C}$. Solenoid protection rating is IP65. Outdoor installation without additional environmental protection is not recommended.

To fit a WAV1 type solenoid assembly to the valve actuator:

- Separate the supplied split coupling provided with the WAV1.
- Screw one half of the coupling into the $G\frac{1}{4}$ " BSP connection on the underside of the BBV980A actuator and tighten using a 6 mm A/F allen key.
- Connect the other half to port 'A' on the WAV1 and tighten.
- Fit the two halves of the coupling together and tighten using a 19 mm A/F spanner.
- Connect the air or water supply to port 'P' ($\frac{1}{4}$ " BSP). If water is the operating medium connect the discharge port (port R) to a safe drain point.

The solenoid valve incorporates a lockable manual override which can be operated by pushing the spring loaded plastic button inwards and turning it clockwise to lock it in the 'override' position. This bypasses the solenoid and allows the BBV980A to be operated without an electricity supply. The screw is released by turning it anticlockwise.

The WAV1 can also be mounted remote from the actuator.

7. Wiring

Caution: Do not apply power to the coil unless it is fitted to the valve.

The rated voltage is printed on the name-plate. The cable socket may be moved through 360° by removing the central plastic screw and turning the connector. Ensure the cable socket gasket is slightly compressed on refitting.