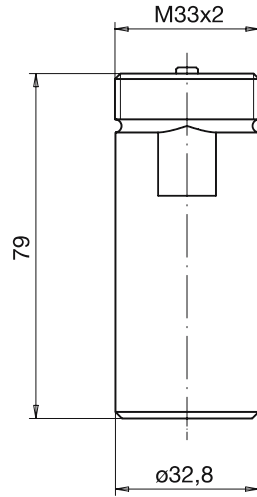
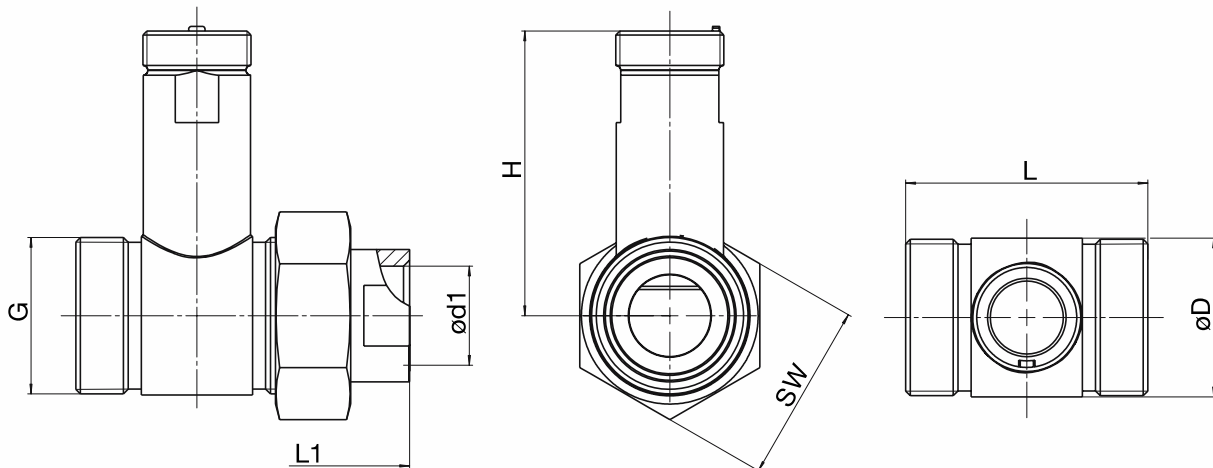


Dimensions of installation fittings (mm)

GEMÜ weldolet

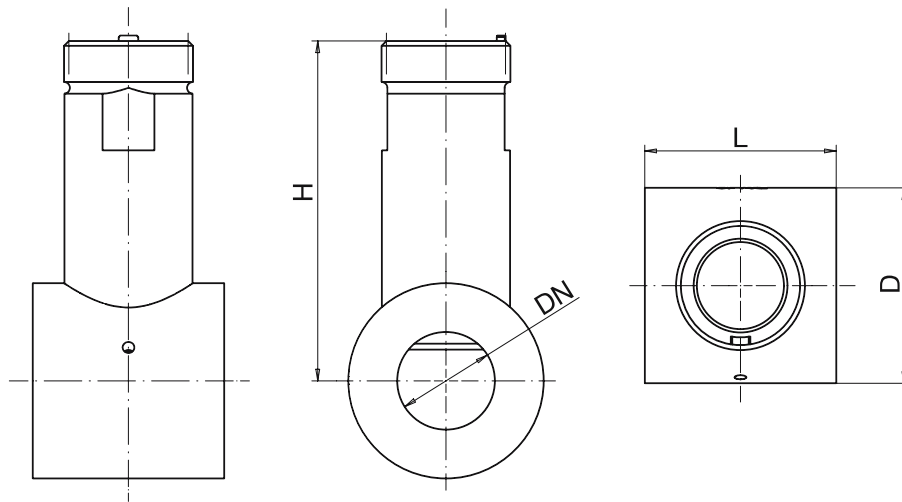


GEMÜ in-line housing



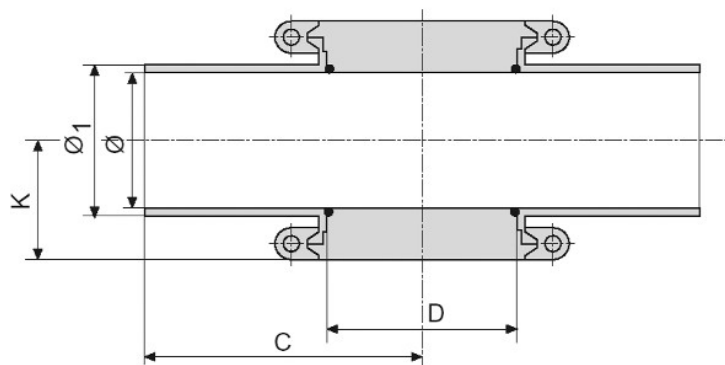
DN	H	L	L1	SW	d1	D	G
25	87	74	130	55	G 1	48.5	G 1 1/2
50	95.7	106	186	90	G 2	81.4	G 2 3/4

GEMÜ wafer-type flange



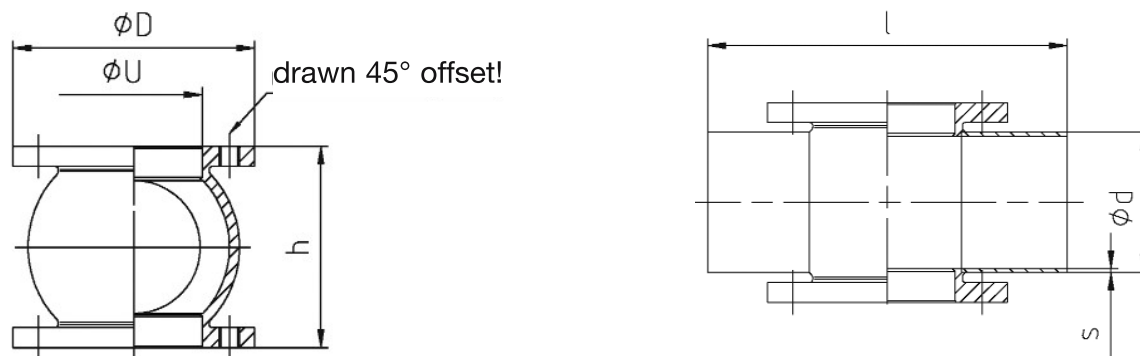
DN	H	L	D
25	89	49	50
50	95.7	49	107

Tuchenhagen VARIVENT® in-line housing



DN	\varnothing	$\varnothing 1$	C	D	K
25	26	29	90	50	31
50	50	53	90	68	44

Neumo BioControl® in-line housing



DN	ϕD	ϕU	h	l	s	ϕd
25	90	50.1	60	150	1.5	29
50	90	50.1	84	150	1.5	53

Overview of nominal sizes

	3030...H...	3030...D...	3030...F...	3030...U...	3030...N...
DN 25 - 300	X	-	-	-	-
DN 25	-	X	X	X	X
DN 50	-	X	X	X	X

Other nominal sizes on request