

FUNCTION AND PURPOSE

Girard Equipment Pressure Relief Vents are now available with a 4-inch or 3-inch Swivel Connection. This valve was designed to allow easy positioning of air inlet assemblies and/or pressure gauges. Pressure Only and Pressure/Vacuum styles are available. All common repair parts are interchangeable with all other styles of Girard DOT 407 Vents.

MATERIALS OF CONSTRUCTION

All metallic parts	Stainless Steel
"O" Ring	Teflon® encapsulated silicone
Gasket	Teflon®

PERFORMANCE SPECIFICATIONS (3" Design)

MAWP	TEST PRESSURE	FLOW (SCFH)	EXPOSED SURFACE
25	40	372,844	732
25	45	408,485	860
30	45	408,485	860
35	52.5	460,443	1061

PERFORMANCE SPECIFICATIONS (4" Design)

MAWP	TEST PRESSURE	FLOW (SCFH)	EXPOSED SURFACE
25	40	374,512	737
25	45	431,308	946
30	45	431,308	946
35	52.5	484,718	1156

Vacuum Performance

3,726 SCFH AT 6" HG (EQUIVALENT TO 584 GPM)
INSTANT OPENING AT 4" HG

AVAILABLE CONNECTION STYLES

For Combination Pressure/Vacuum Vents, please add '-VV' to the part number, e.g. DOT3X407TWV-SVL.

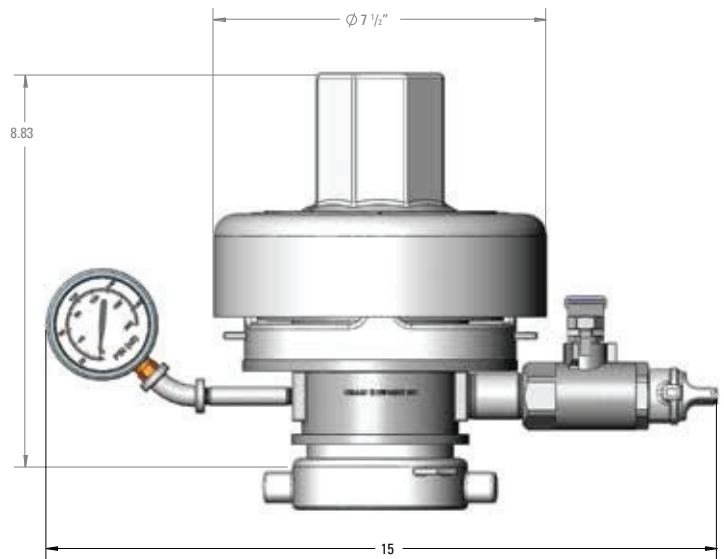
3" CONNECTIONS

DOT3X407T-SVL	3" NPT Swivel Connection 25# MAWP
DOT3X407T1-SVL	3" NPT Swivel Connection 30# MAWP
DOT3X407T2-SVL	3" NPT Swivel Connection 35# MAWP
DOT3X407T3-SVL	3" NPT Swivel Connection, Special Pressure Setting (Please Specify)

4" CONNECTIONS

DOT407LT-SVL	4" NPT Swivel Connection 25# MAWP
DOT407LT1-SVL	4" NPT Swivel Connection 30# MAWP
DOT407LT2-SVL	4" NPT Swivel Connection 35# MAWP
DOT407LT3-SVL	4" NPT Swivel Connection, Special Pressure Setting (Please Specify)

Above vents include a 3/4" Air Accessory Package which contains part numbers: 202016, 202017, 202018, 202019, 202021, 202022



3-Inch DOT 407 Combo Vent with Swivel Connection

Parts And Ordering Information

